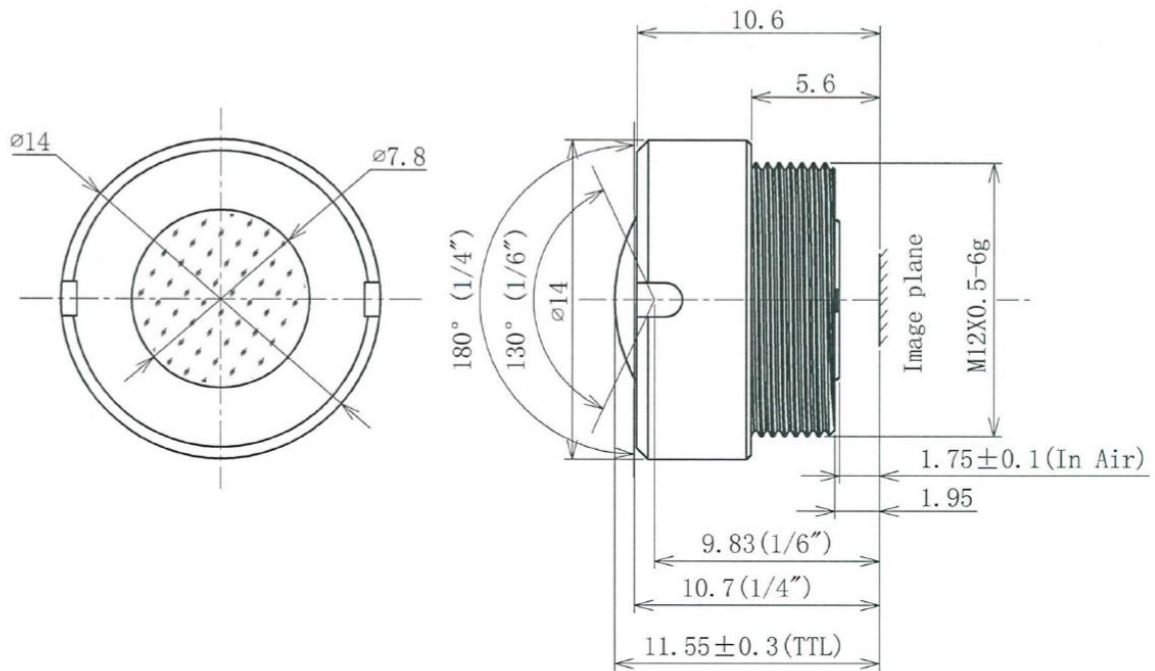


# BF2M1423S127



The S-Mount lens Lensagon BF2M1423S127 is suitable for common sensors up to 2 megapixel with an image format of 1/2.7 inch.

## Technical Data

Mount	S-Mount
Sensor	1/2.7 inch
Focal Length	1.4 mm
Aperture	2.3
MOD	0.05 m
Back Focal	2.89 mm
Angle of View	D:180° H:170° V:99°
Megapixel	2 MP
IR Correction	Yes
IR Cut Filter	No
Image Circle	4.5 mm
Iris	fixed
Focus	fixed

