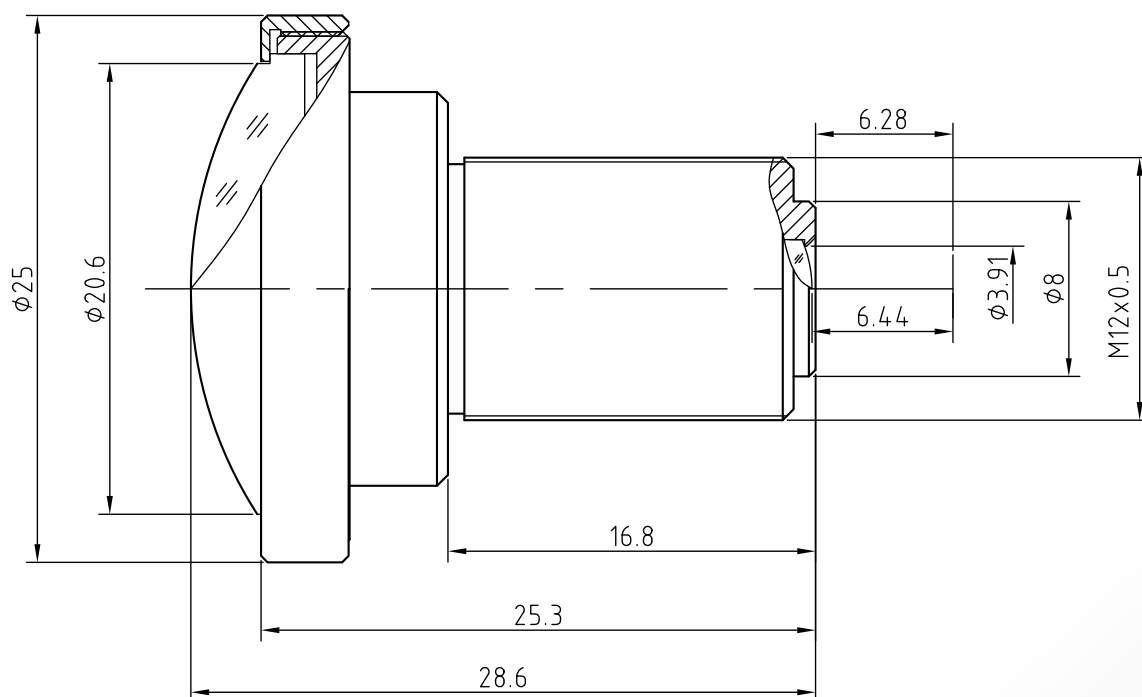


Lensagon BF2M12520



The Fisheye S-Mount lens Lensagon BF2M12520 is suitable for common sensors up to 2 megapixel with an image format of 1/3 inch. It is characterized by a particularly high light intensity.

Technical Data

Mount	S-Mount
Sensor	1/3 inch
Focal Length	1.25 mm
Aperture	2
MOD	0.15 m
Back Focal	6.44 mm
Angle of View	D:185° H:° V:°
Megapixel	2 MP
IR Correction	Yes
IR Cut Filter	No
Image Circle	3.6 mm
Weight	17 g
Iris	fixed
Focus	fixed
Typ	Fisheye



Light Sensitive



2 Megapixel