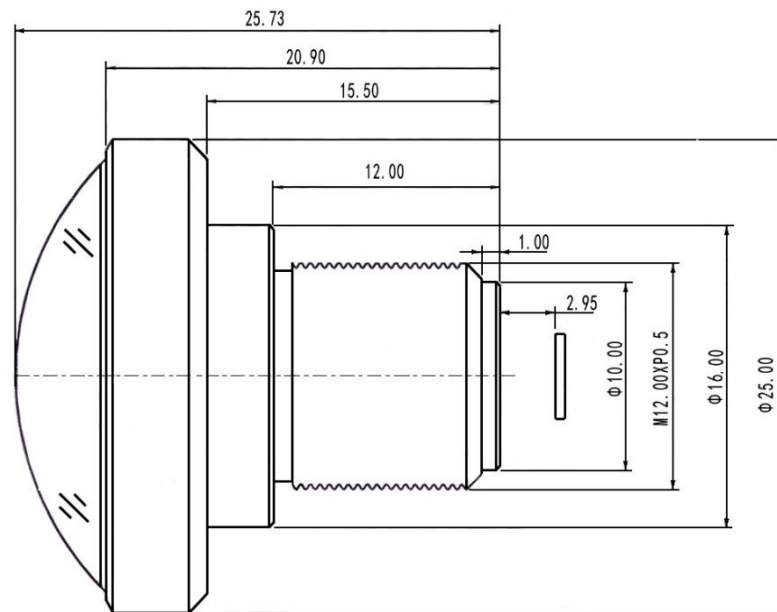


BF16M220DC



The S-Mount lens Lensagon BF16M220DC is suitable for current sensors up to 16 megapixel with an image format of 1/2.3 inch.

Technical Data

Mount	S-Mount
Sensor	1/2.3 inch
Focal Length	1.2 mm
Aperture	2.5
Back Focal	2.95 mm
Angle of View	D:220° H:220° V:220°
Megapixel	16 MP
IR Correction	No
IR Cut Filter	Yes
Image Circle	4.2 mm
Weight	26 g
Iris	fixed
Focus	fixed
Typ	Fisheye

16 Megapixel

