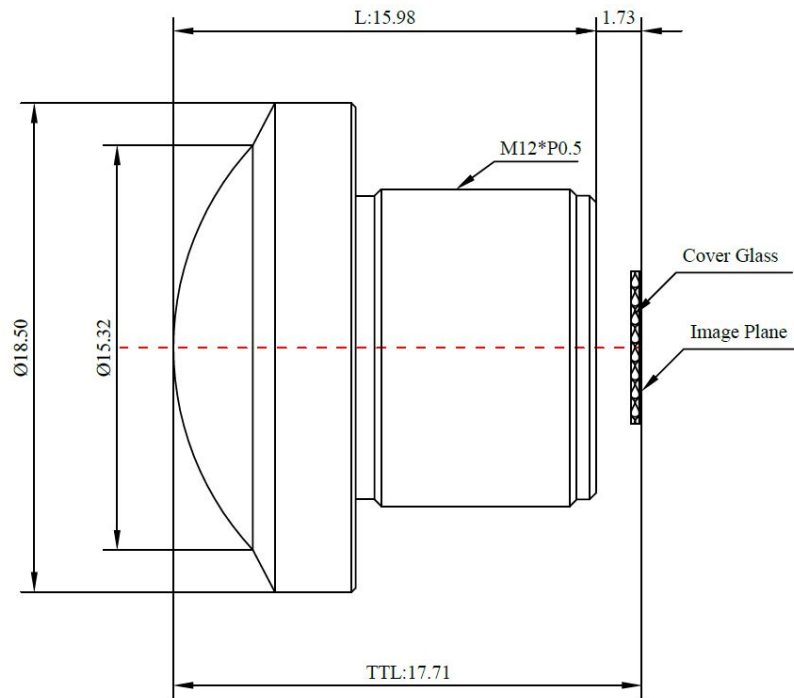


BF16M14120S123C



The S-Mount lens Lensagon BF16M14120S123C is suitable for current sensors up to 16.00 megapixel with an image format of 1/2.3 inch. It is characterized by a particularly high light intensity.

Technical Data

Mount	S-Mount
Sensor	1/2.3 inch
Focal Length	1.41 mm
Aperture	2.00
MOD	0.10 m
Back Focal	2.30 mm
Angle of View	D:235.00° H:235.00° V:235.00°
Megapixel	16.00 MP
IR Cut Filter	Yes
Image Circle	4.46 mm
Focus	fixed
Chief ray angle	15.80 °
Filter	T=50%@650nm \pm 10nm
Typ	Fisheye



Light Sensitive



Megapixel