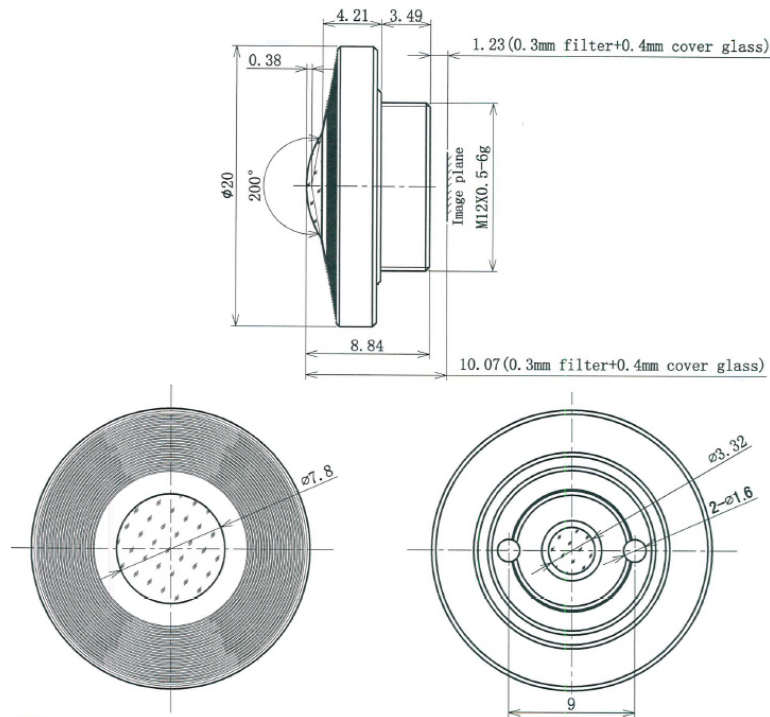


# BF13M0922S13C



The S-Mount lens Lensagon BF13M0922S13C is suitable for current sensors up to 13.00 megapixel with an image format of 1/3.2 inch.

## Technical Data

Mount	S-Mount
Sensor	1/3.2 inch
Focal Length	0.90 mm
Aperture	2.20
MOD	0.10 m
Back Focal	2.01 mm
Angle of View	D:200.00° H:200.00° V:200.00°
Megapixel	13.00 MP
IR Cut Filter	Yes
Image Circle	2.90 mm
Weight	5.50 g
Iris	fixed
Focus	fixed
Chief ray angle	10.20 °
Typ	Fisheye

