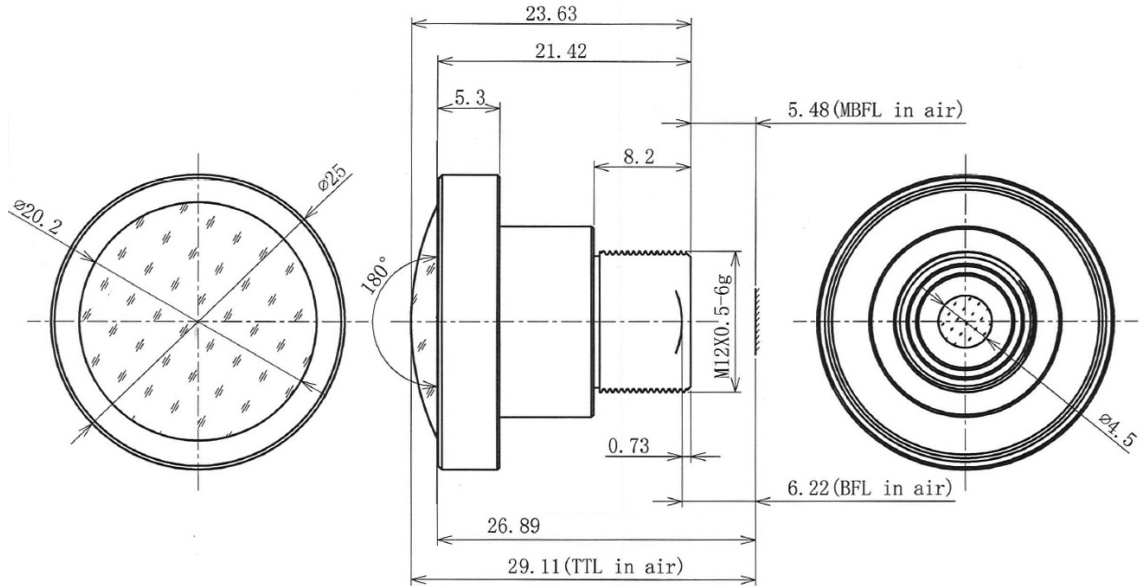


BF10M19828S118



The S-Mount lens Lensagon BF10M19828S118 is suitable for current sensors up to 10.00 megapixel with an image format of 1/1.8 inch.

Technical Data

Mount	S-Mount
Sensor	1/1.8 - 1/2 inch Sensor
Focal Length	1.98 mm
Aperture	2.80
MOD	0.10 m
Back Focal	6.22 mm
Angle of View	D:180.00° H:180.00° V:180.00°
Megapixel	10.00 MP
IR Correction	Yes
IR Cut Filter	No
Image Circle	5.60 mm
Weight	15.30 g
Iris	fixed
Focus	fixed
Chief ray angle	12.00 °
Typ	Fisheye



10 Megapixel