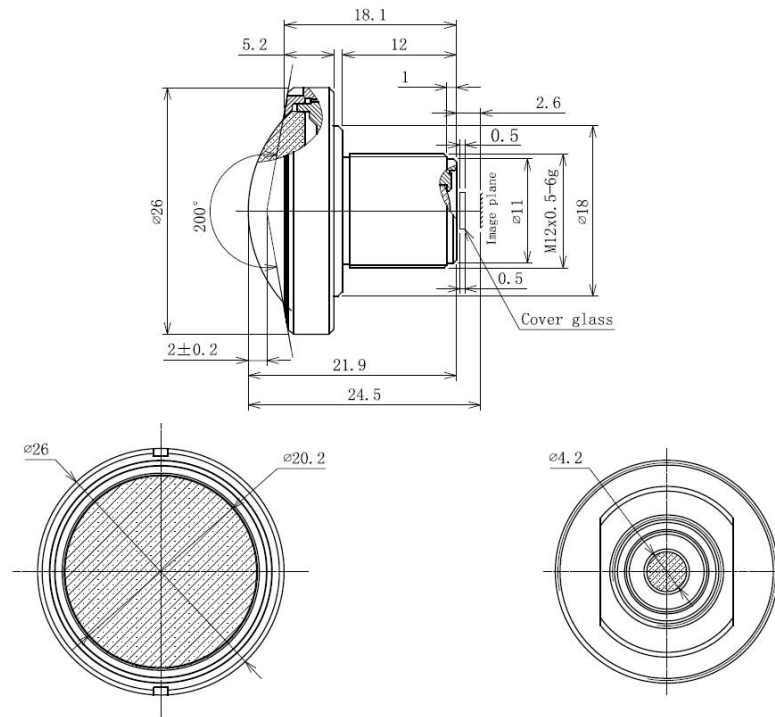


BF10M10526S132



The S-Mount lens Lensagon BF10M10526S132 is suitable for current sensors up to 10.00 megapixel with an image format of 1/3.2 inch.

| Technical Data | |
|-----------------|-------------------------------|
| Mount | S-Mount |
| Sensor | 1/3.2 inch |
| Focal Length | 1.05 mm |
| Aperture | 2.40 |
| MOD | 0.10 m |
| Back Focal | 3.20 mm |
| Angle of View | D:202.00° H:202.00° V:202.00° |
| Megapixel | 10.00 MP |
| IR Cut Filter | No |
| Image Circle | 3.46 mm |
| Weight | 13.80 g |
| Iris | fixed |
| Focus | fixed |
| Chief ray angle | 5.20 ° |
| Typ | Fisheye |



10 Megapixel