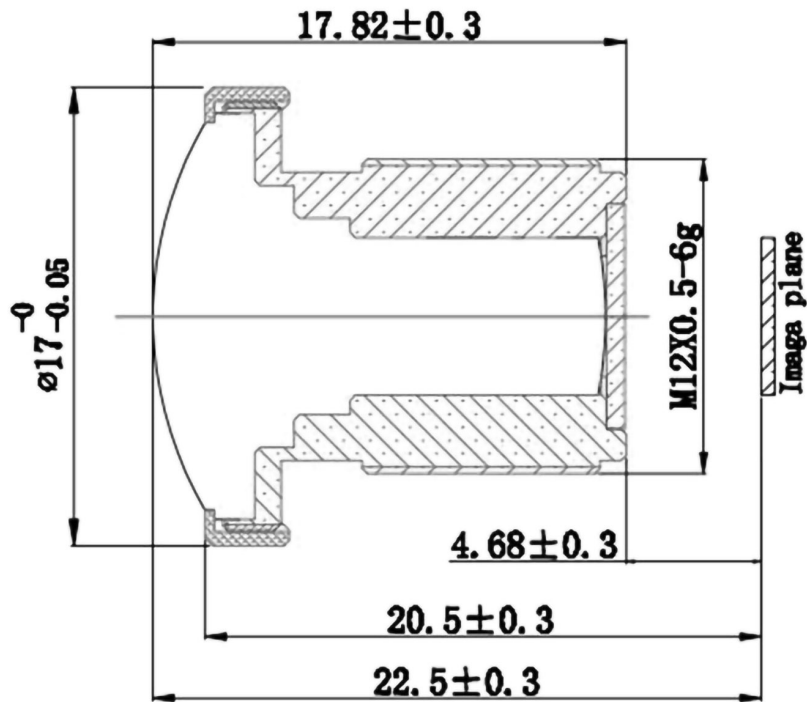


BE3M2720S125



The S-Mount lens Lensagon BE3M2720S125 is suitable for common sensors up to 3.00 megapixel with an image format of 1/2.5 inch. It is characterized by a particularly high light intensity. Economy Lens

Technical Data

Mount	S-Mount
Sensor	1/2.5 inch
Focal Length	2.70 mm
Aperture	2.00
MOD	0.20 m
Back Focal	5.94 mm
Angle of View	D:162.00° H:140.00° V:79.00°
Megapixel	3.00 MP
IR Correction	Yes
Optical Distortion	10.00 %
Iris	fixed
Focus	fixed
Typ	Standard

Hinweis:



Light Sensitive



3 Megapixel

