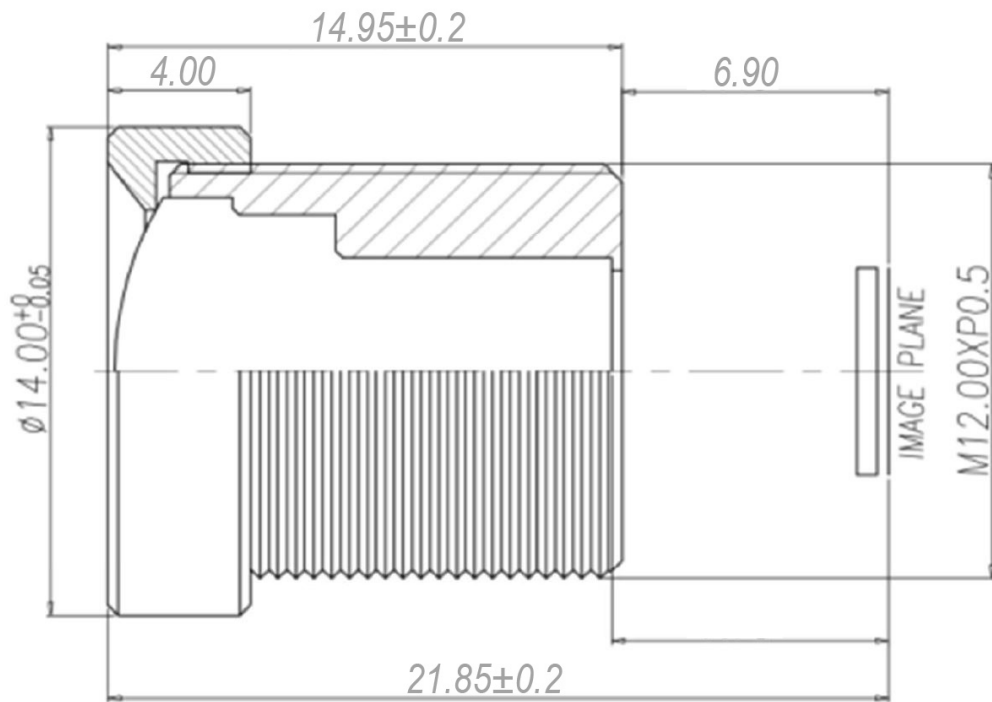


# BE3M12028S13C



The S-Mount lens Lensagon BE3M12028S13C is suitable for common sensors up to 3 megapixel with an image format of 1/3 inch. Economy lens

## Technical Data

Mount	S-Mount
Sensor	1/3 inch
Focal Length	12 mm
Aperture	2.5
MOD	0.3 m
Back Focal	6.9 mm
Angle of View	D:28.6° H:22.9° V:17.2°
Megapixel	3 MP
IR Cut Filter	Yes
Optical Distortion	2 %

**3** Megapixel

