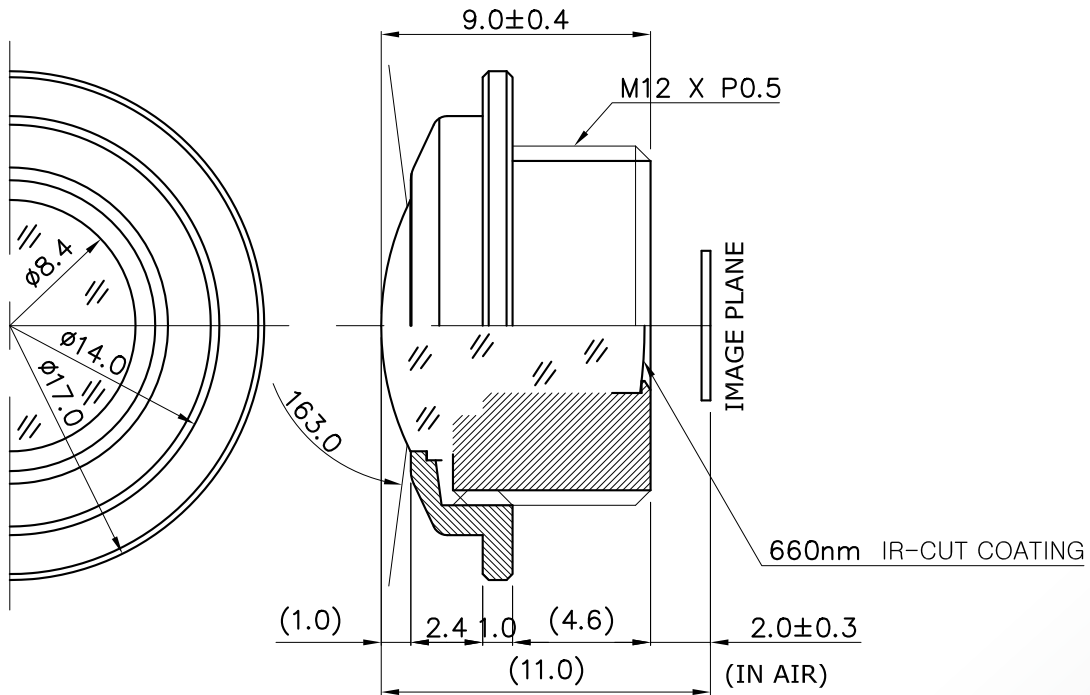


# Lensagon BA1520WPC



The S-Mount lens Lensagon BA1520WPC is suitable for common sensors up to 1 megapixel with an image format of 1/4 inch. It is characterized by a particularly high light intensity. Waterproof lens

## Technical Data

Mount	S-Mount
Sensor	1/4 inch
Focal Length	1.5 mm
Aperture	1.9
MOD	0.2 m
Back Focal	2.2 mm
Angle of View	D:163° H:130° V:100.9°
Megapixel	1-2 MP
IR Correction	No
IR Cut Filter	Yes
Weight	3.5 g
Iris	fixed
Focus	fixed
Typ	Waterproof



Light Sensitive



1 Megapixel