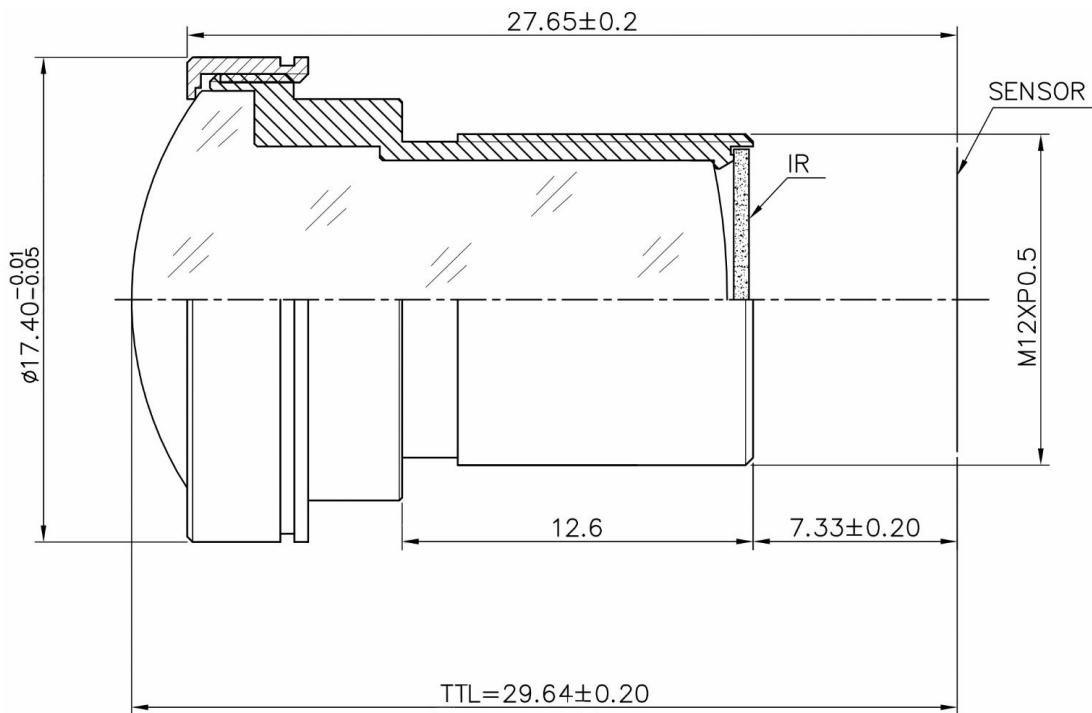


B8M4418S23C-IP66



The S-Mount lens Lensagon B8M4418S23C-IP66 is suitable for current sensors up to 8 megapixel with an image format of 2/3 inch. It is characterized by a particularly high light intensity.

Technical Data

Mount	S-Mount
Sensor	2/3 inch
Focal Length	4.41 mm
Aperture	1.8
Angle of View	D:139.6° H:120.4° V:66.4°
Megapixel	8 MP
IR Cut Filter	Yes
TV Distortion	-18 %
Weight	8 g
Chief ray angle	11 °
Typ	Standard



Light Sensitive



8 Megapixel

