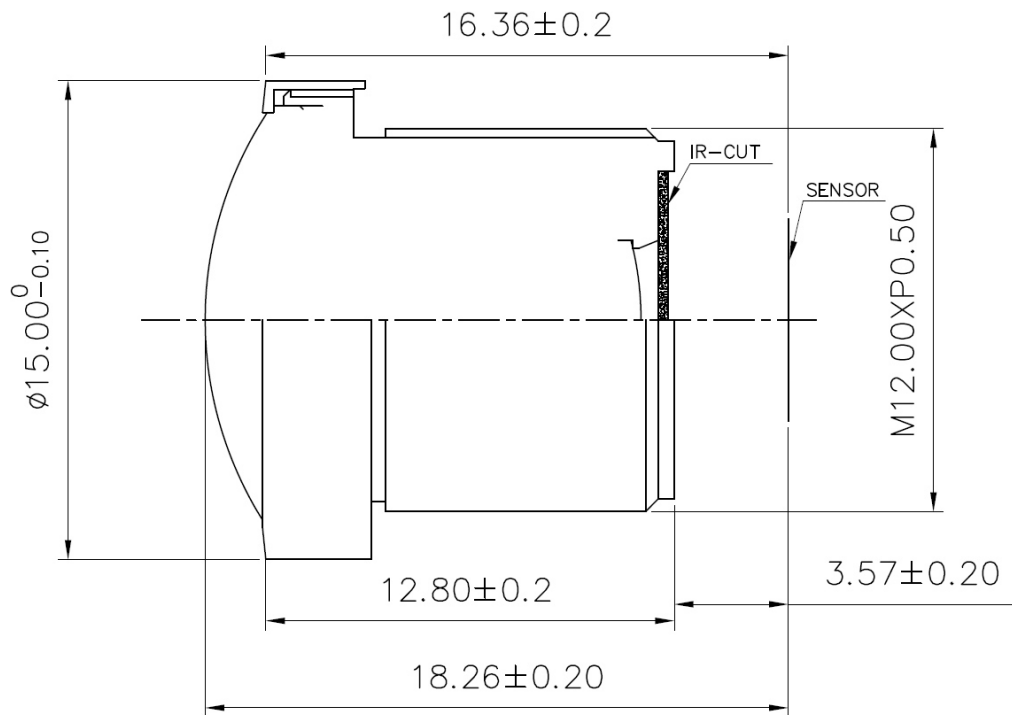


B8M2026S132C



The S-Mount lens Lensagon B8M2026S132C is suitable for current sensors up to 8.00 megapixel with an image format of 1/3.2 inch. f-Theta Distortion: -4%

Technical Data

Mount	S-Mount
Sensor	1/3.2 inch
Focal Length	2.01 mm
Aperture	2.65
MOD	0.10 m
Back Focal	3.57 mm
Angle of View	D:169.00° H:133.40° V:99.60°
Megapixel	8.00 MP
IR Correction	yes
IR Cut Filter	yes
Weight	5.10 g
Iris	fixed
Focus	fixed
Chief ray angle	16.50 °
Typ	Standard

Hinweis:



8 Megapixel