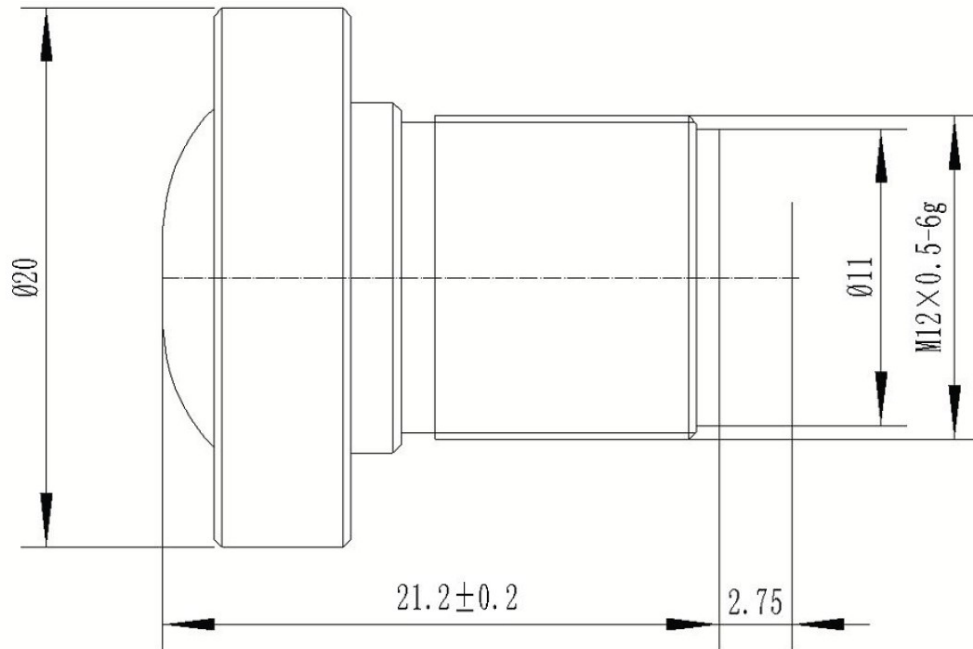


B8M19724S128C



The S-Mount lens Lensagon B8M19724S128C is suitable for current sensors up to 8.00 megapixel with an image format of 1/2.8 inch.

Technical Data

Mount	S-Mount
Sensor	1/2.8 inch
Focal Length	1.97 mm
Aperture	2.40
MOD	0.30 m
Back Focal	3.30 mm
Angle of View	D:119.00° H:107.00° V:72.50°
Megapixel	8.00 MP
IR Correction	No
IR Cut Filter	Yes
Optical Distortion	-3.20 %
Weight	7.50 g
Iris	fixed
Focus	manual
Chief ray angle	11.00 °
Typ	Standard



8 Megapixel