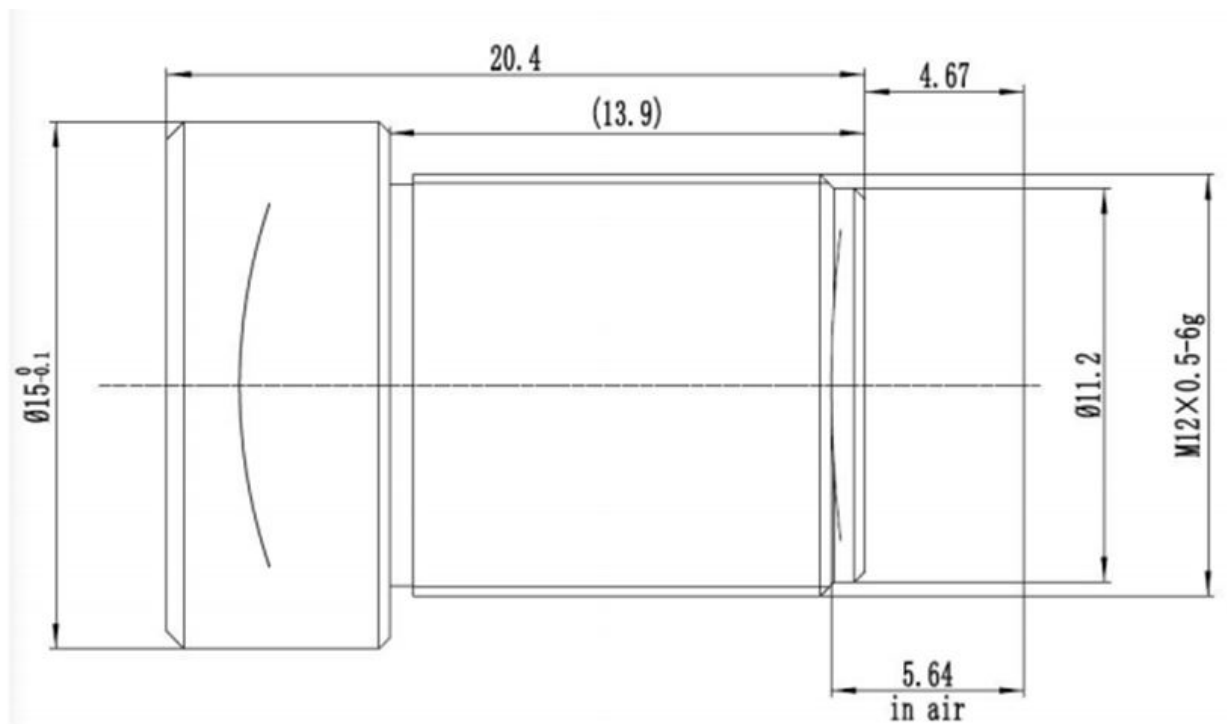


B8M12020S118ND



The S-Mount lens Lensagon B8M12020S118ND is suitable for current sensors up to 8 megapixel with an image format of 1/1.8 inch. It is characterized by a particularly high light intensity.

Technical Data

Mount	S-Mount
Sensor	1/1.8 - 1/2 inch Sensor
Focal Length	12 mm
Aperture	2
MOD	0.15 m
Back Focal	5.64 mm
Angle of View	D:44.9° H:33.9° V:25.6°
Megapixel	8 MP
IR Correction	No
Optical Distortion	-2 %
Iris	fixed
Focus	fixed
Chief ray angle	8.3 °
Typ	Standard



Light Sensitive



8 Megapixel