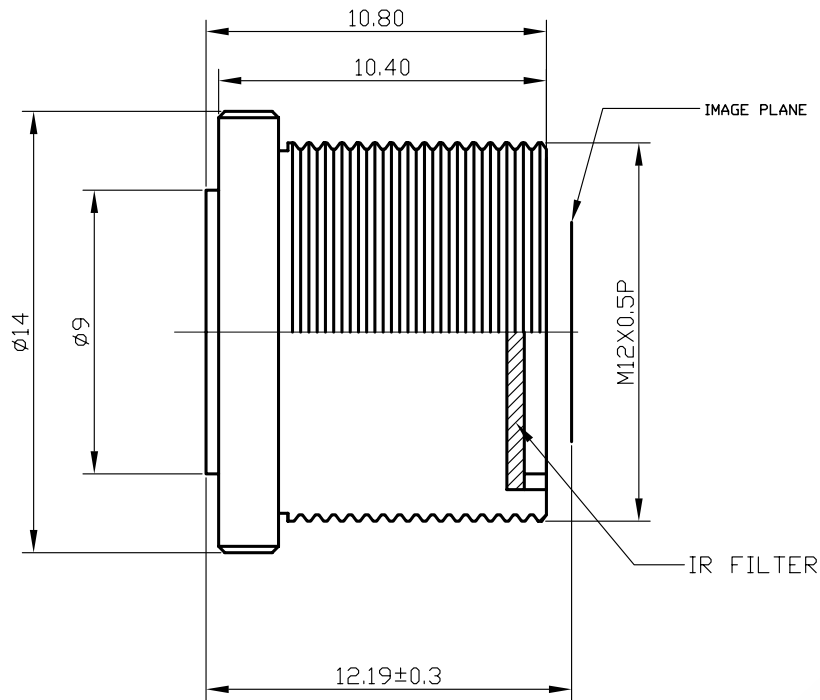


Lensagon B5M8430NC



The S-Mount lens Lensagon B5M8430NC is suitable for common sensors up to 5 megapixel with an image format of 1/1.8 inch.

Technical Data

Mount	S-Mount
Sensor	1/1.8 - 1/2 inch Sensor
Focal Length	8.42 mm
Aperture	3
MOD	0.1 m
Back Focal	3.03 mm
Angle of View	D:60° H:° V:°
Megapixel	5 MP
IR Correction	No
IR Cut Filter	Yes
Optical Distortion	-1.15 %
Weight	7.5 g
Iris	fixed
Focus	fixed
Typ	Standard



5 Megapixel