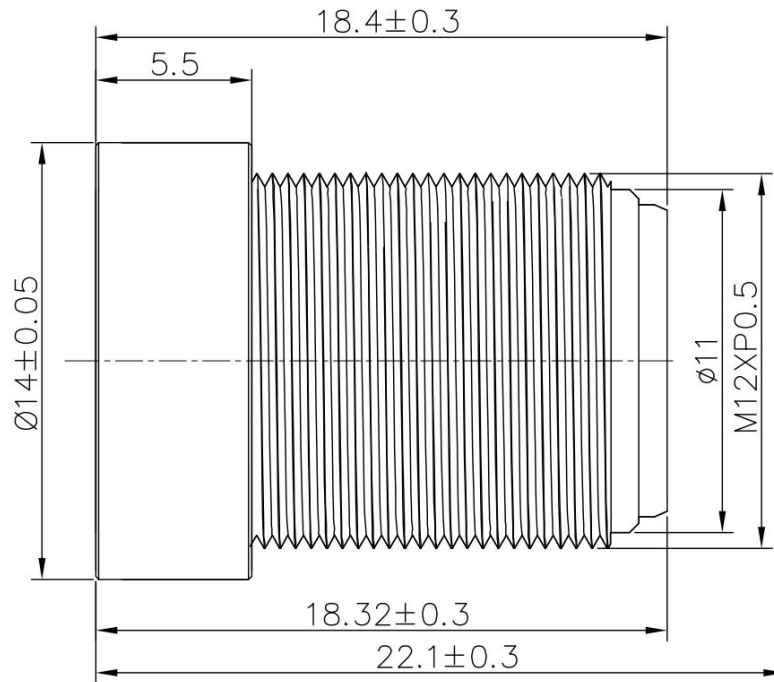


# B5M6532S123ND



The S-Mount lens Lensagon B5M6532S123ND is suitable for common sensors up to 5 megapixel with an image format of 1/2.5 inch.

## Technical Data

Mount	S-Mount
Sensor	1/2.5 inch
Focal Length	6 mm
Aperture	3.2
MOD	0.3 m
Back Focal	7.55 mm
Angle of View	D:62° H:° V:°
Megapixel	5 MP
IR Correction	No
IR Cut Filter	No
Optical Distortion	0.8 %
Weight	3.05 g
Iris	fixed
Focus	fixed
Chief ray angle	13.5 °
Typ	Standard

**5** Megapixel

