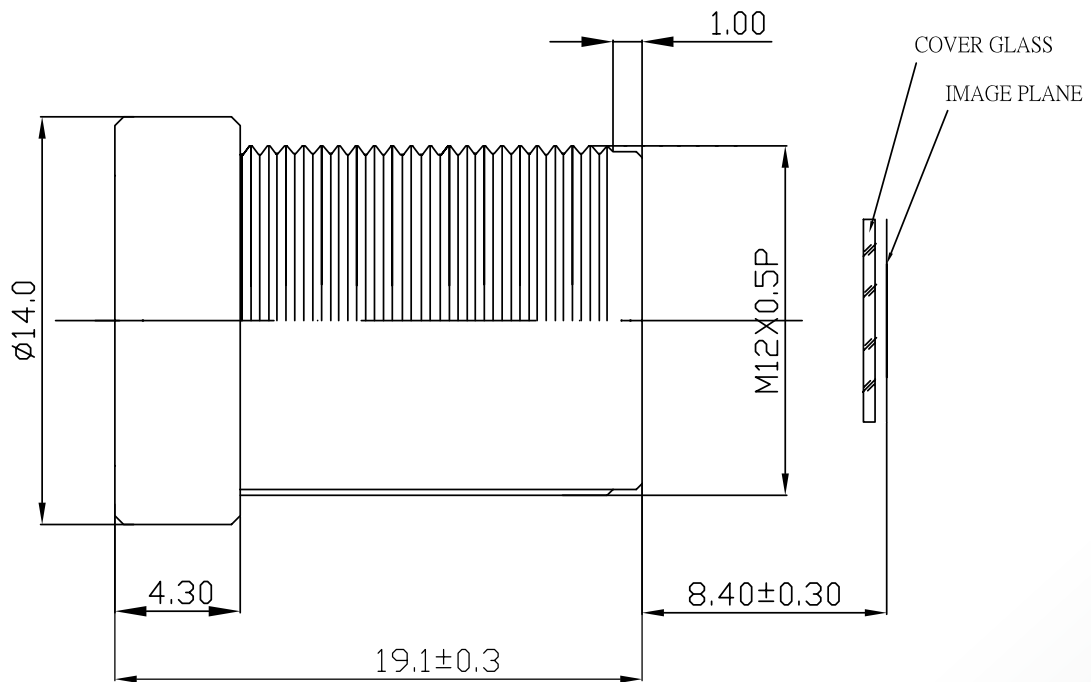


Lensagon B5M6018



The S-Mount lens Lensagon B5M6018 is suitable for common sensors up to 5 megapixel with an image format of 1/2.5 inch. It is characterized by a particularly high light intensity.

Technical Data

Mount	S-Mount
Sensor	1/2.5 inch
Focal Length	6 mm
Aperture	1.8
MOD	0.15 m
Back Focal	9.58 mm
Angle of View	D:75° H:57.5° V:41.4°
Megapixel	5 MP
IR Cut Filter	No
Weight	5.6 g
Iris	fixed
Focus	fixed
Typ	Standard



Light Sensitive



Megapixel