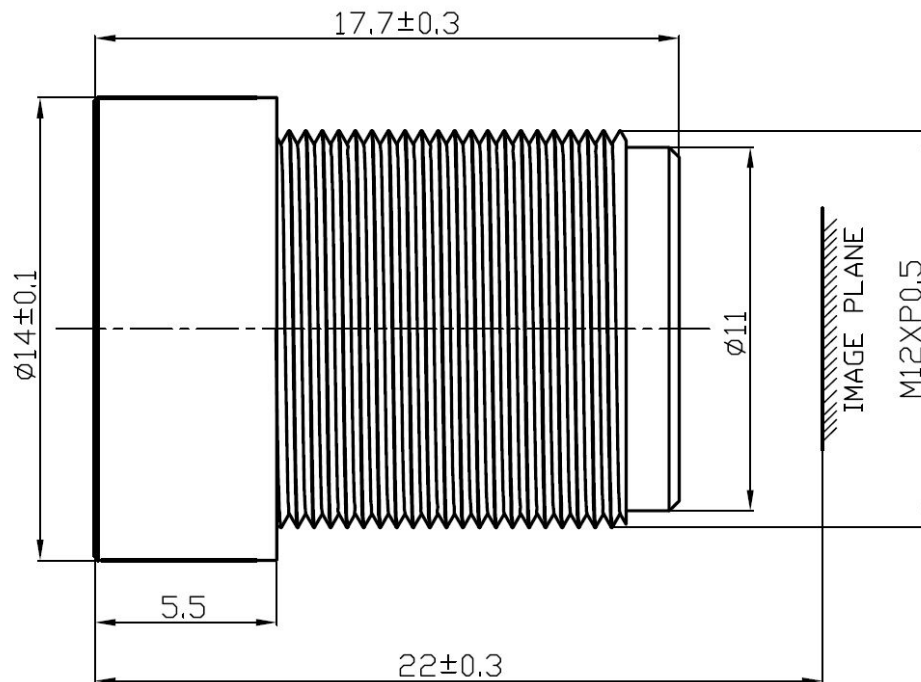


B5M41430NDC



The S-Mount lens Lensagon B5M41430NDC is suitable for common sensors up to 5 megapixel with an image format of 1/2.5 inch.

Technical Data

Mount	S-Mount
Sensor	1/2.5 inch
Focal Length	4.14 mm
Aperture	3
MOD	0.2 m
Back Focal	5.45 mm
Angle of View	D:81.1° H:68.8° V:54.4°
Megapixel	5 MP
IR Correction	No
IR Cut Filter	Yes
Optical Distortion	0.2 %
Weight	6.5 g
Iris	fixed
Focus	fixed
Chief ray angle	13.7 °
Typ	Standard

5 Megapixel

