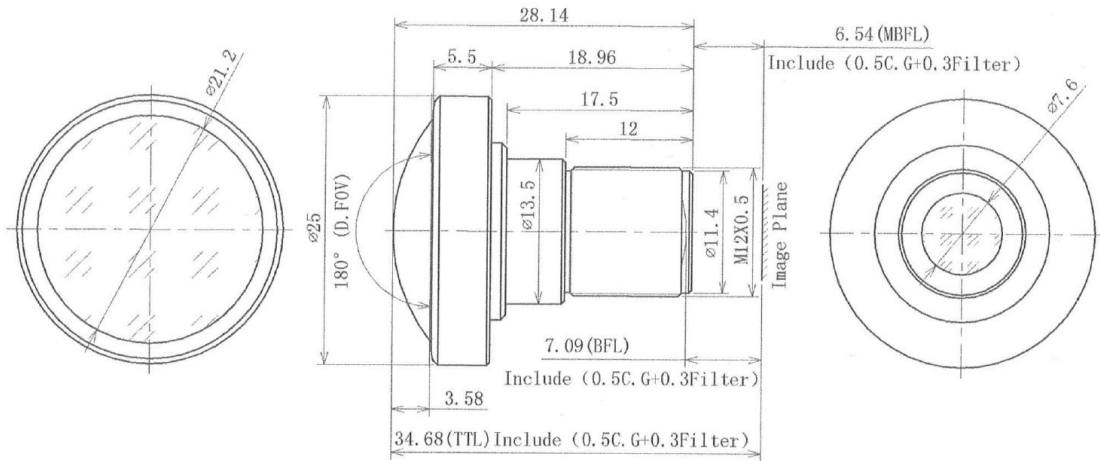


B5M2920S118C



The S-Mount lens Lensagon B5M2920S118C is suitable for common sensors up to 5.00 megapixel with an image format of 1/1.8 inch.

Technical Data

Mount	S-Mount
Sensor	1/1.8 - 1/2 inch Sensor
Focal Length	2.95 mm
Aperture	2.80
MOD	0.30 m
Back Focal	7.09 mm
Angle of View	D:180.00° H:143.00° V:106.00°
Megapixel	5.00 MP
IR Cut Filter	Yes
F-Theta Distortion	-4.30 %
Image Circle	9.00 mm
Iris	fixed
Focus	fixed
Typ	Standard

