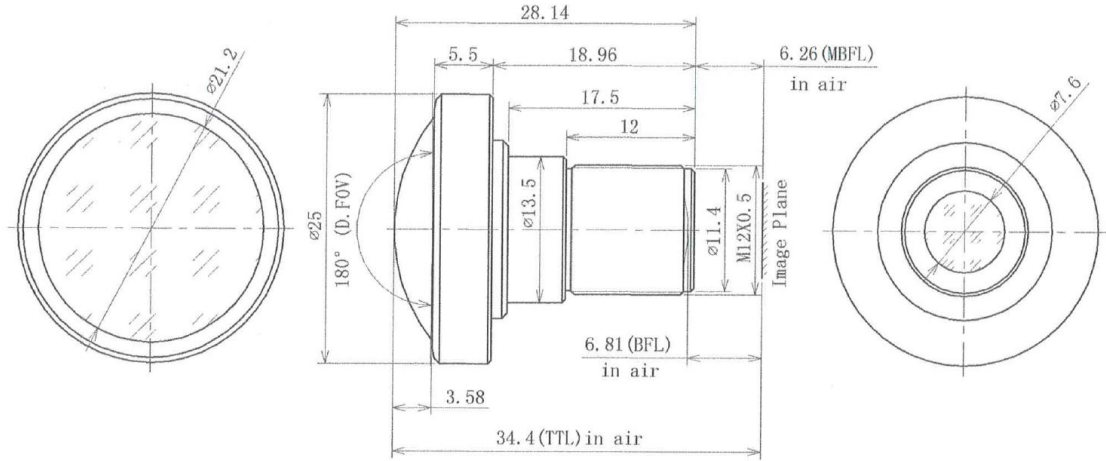


B5M2920S118



The S-Mount lens Lensagon B5M2920S118 is suitable for common sensors up to 5 megapixel with an image format of 1/1.8 inch.

Technical Data

Mount	S-Mount
Sensor	1/1.8 - 1/2 inch Sensor
Focal Length	2.95 mm
Aperture	2.8
MOD	0.3 m
Back Focal	6.81 mm
Angle of View	D:180° H:143° V:106°
Megapixel	5 MP
IR Correction	Yes
Optical Distortion	-4.3 %
Image Circle	9 mm
Iris	fixed
Focus	fixed
Typ	Standard



5 Megapixel