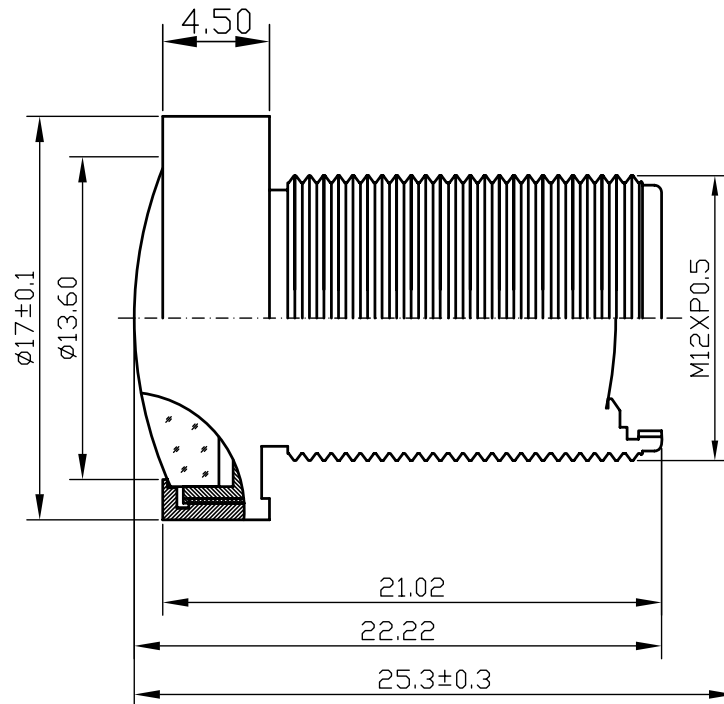


Lensagon B5M2916



The S-Mount lens Lensagon B5M2916 is suitable for common sensors up to 5 megapixel with an image format of 1/2.5 inch. It is characterized by a particularly high light intensity.

Technical Data

Mount	S-Mount
Sensor	1/2.5 inch
Focal Length	2.9 mm
Aperture	2
MOD	0.1 m
Back Focal	5.1 mm
Angle of View	D:152° H:117.5° V:86.5°
Megapixel	5 MP
IR Cut Filter	No
Distortion	-63 %
Iris	fixed
Focus	fixed
Typ	Standard



Light Sensitive



5 Megapixel