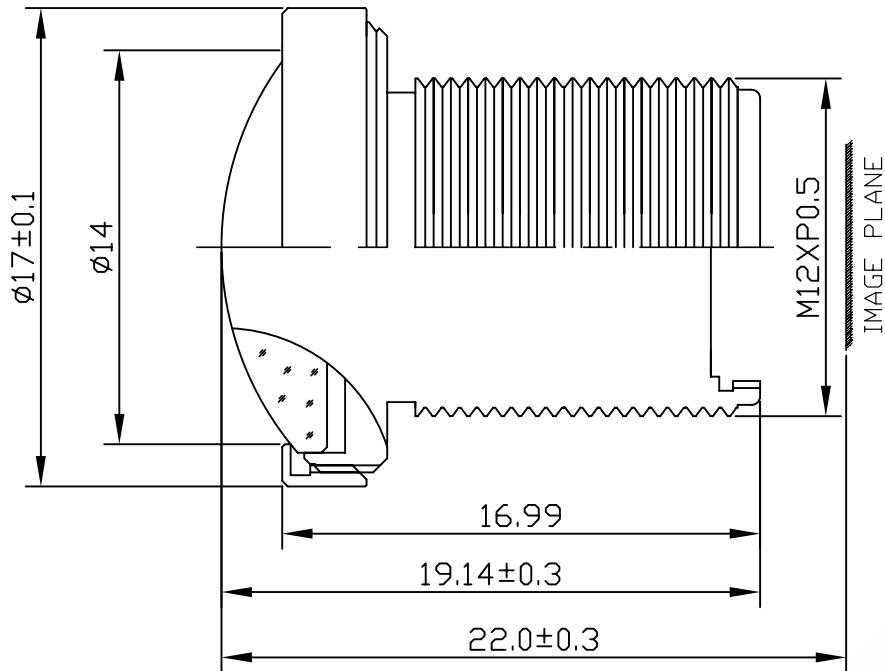


Lensagon B5M2524



The S-Mount lens Lensagon B5M2524 is suitable for common sensors up to 5 megapixel with an image format of 1/2.5 inch.

Technical Data

Mount	S-Mount
Sensor	1/2.5 inch
Focal Length	2.5 mm
Aperture	2.4
MOD	0.1 m
Back Focal	4.7 mm
Angle of View	D:166° H:132° V:98.8°
Megapixel	5 MP
IR Cut Filter	No
Optical Distortion	-83 %
Image Circle	7.4 mm
Weight	11.8 g
Iris	fixed
Focus	fixed
Chief ray angle	9 °
Typ	Standard



5 Megapixel