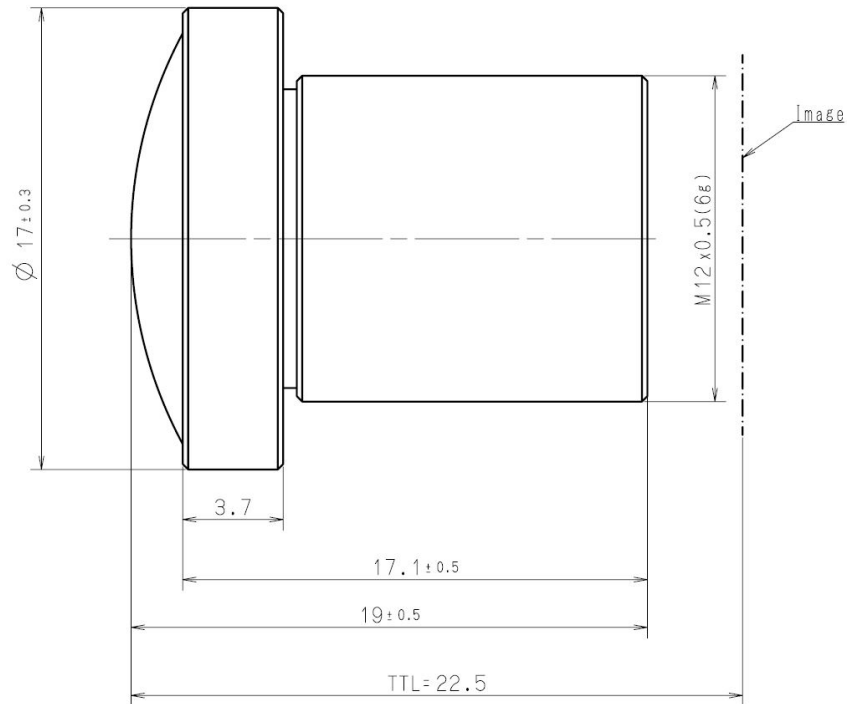


Lensagon B4M3516



The S-Mount lens Lensagon B4M3516 is suitable for common sensors up to 4 megapixel with an image format of 1/2 inch. It is characterized by a particularly high light intensity.

Technical Data

Mount	S-Mount
Sensor	1/2 inch
Focal Length	3.5 mm
Aperture	1.6
MOD	0.85 m
Back Focal	4.8 mm
Angle of View	D:160° H:123° V:69°
Megapixel	4 MP
TV Distortion	-13.9 %
Image Circle	8.6 mm
Iris	fixed
Focus	manual
Typ	Standard



Light Sensitive



Megapixel

