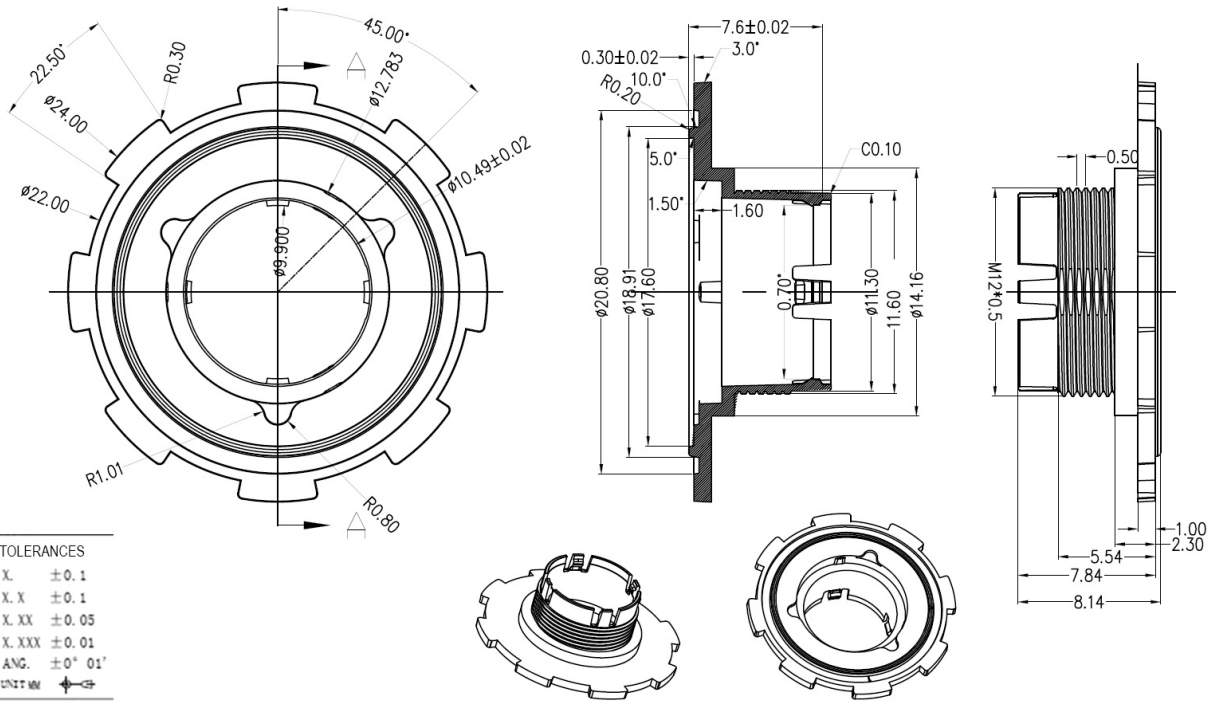


# B4M1920NDC



Please note: The lens does not output a round, but an square image. The rings can be used to rotate and fix the square picture. CRA<10°, Entrancepupil D0.97mm, P=3.48mm right from first lens surface.

Technical Data	
Mount	S-Mount
Sensor	1/2.9 inch
Focal Length	1.93 mm
Aperture	2
Back Focal	1.137 mm
Angle of View	D:117.7° H:110° V:76.5°
Megapixel	4 MP
IR Correction	No
IR Cut Filter	Yes
Optical Distortion	-5 %
Image Circle	6.6 mm
Weight	5.7 g
Iris	fixed
Focus	fixed
Typ	Standard



Light Sensitive



4 Megapixel