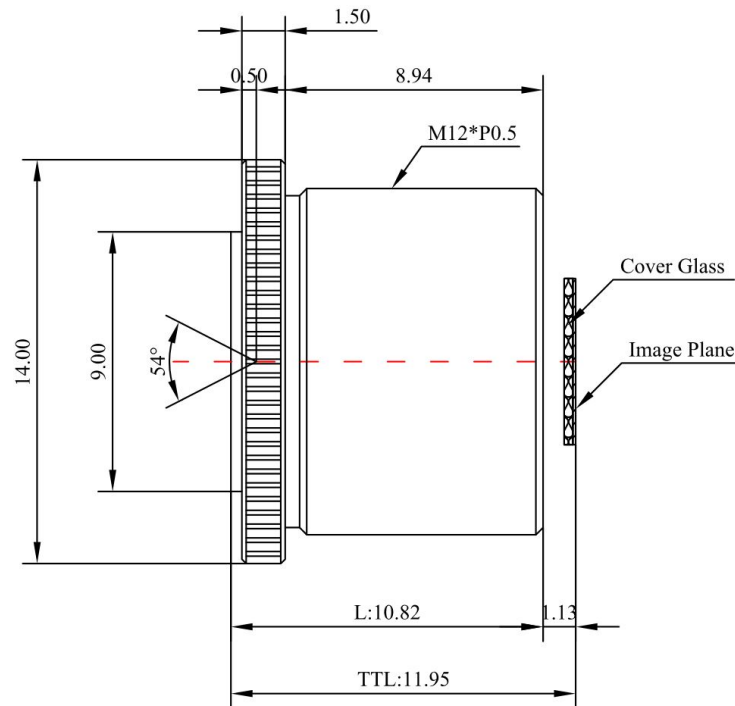


# B3M8556S118NDC



The S-Mount lens Lensagon B3M8556S118NDC is suitable for common sensors up to 3 megapixel with an image format of 1/1.8 inch.

## Technical Data

|                 |                         |
|-----------------|-------------------------|
| Mount           | S-Mount                 |
| Sensor          | 1/1.8 - 1/2 inch Sensor |
| Focal Length    | 8.5 mm                  |
| Aperture        | 5.6                     |
| MOD             | 0.1 m                   |
| Back Focal      | 2.9 mm                  |
| Angle of View   | D:54.3° H:44.1° V:33.2° |
| Megapixel       | 3 MP                    |
| IR Correction   | No                      |
| IR Cut Filter   | Yes                     |
| TV Distortion   | -1.15 %                 |
| Image Circle    | 9 mm                    |
| Weight          | 6.6 g                   |
| Iris            | fixed                   |
| Focus           | fixed                   |
| Chief ray angle | 27.36 °                 |
| Typ             | Standard                |



**3** Megapixel