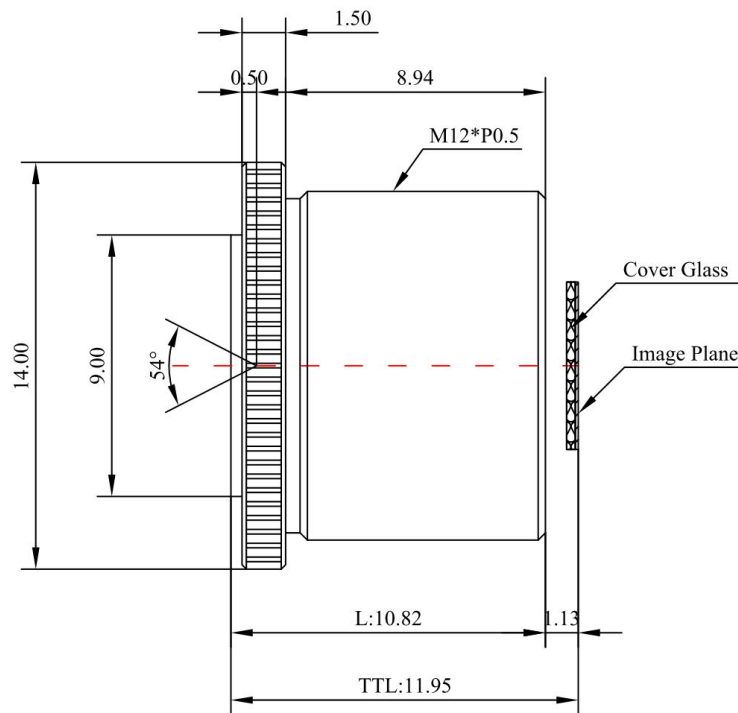


# B3M8556S118ND



The S-Mount lens Lensagon B3M8556S118ND is suitable for common sensors up to 3 megapixel with an image format of 1/1.8 inch.

## Technical Data

Mount	S-Mount
Sensor	1/1.8 - 1/2 inch Sensor
Focal Length	8.5 mm
Aperture	5.6
MOD	0.1 m
Back Focal	2.9 mm
Angle of View	D:54.3° H:44.1° V:33.2°
Megapixel	3 MP
IR Correction	No
IR Cut Filter	No
TV Distortion	-1.15 %
Image Circle	9 mm
Weight	6.6 g
Iris	fixed
Focus	fixed
Chief ray angle	27.36 °
Typ	Standard



**3** Megapixel