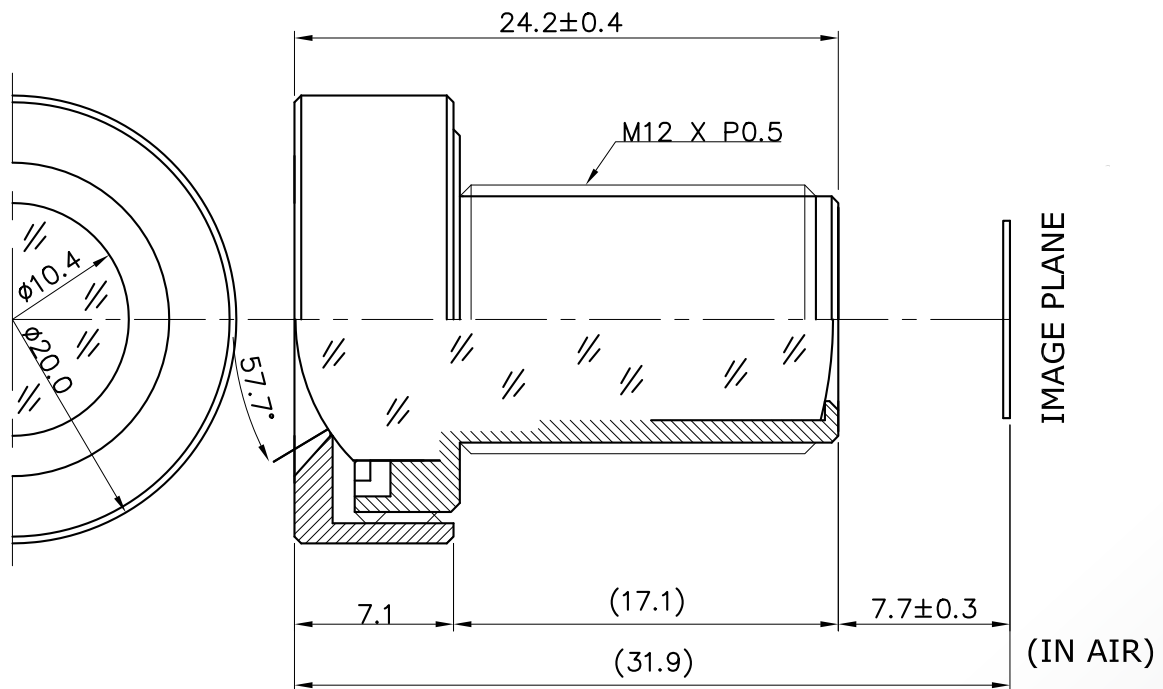


B3M8018S12



The S-Mount lens Lensagon B3M8018S12 is suitable for common sensors up to 3 megapixel with an image format of 1/2 inch. It is characterized by a particularly high light intensity.

Technical Data

Mount	S-Mount
Sensor	1/2 inch
Focal Length	8 mm
Aperture	1.8
MOD	0.5 m
Back Focal	7.9 mm
Angle of View	D:57.7° H:46.5° V:35.1°
Megapixel	3 MP
IR Cut Filter	No
Weight	11.7 g
Iris	fixed
Focus	fixed
Typ	Standard



Light Sensitive



3 Megapixel

