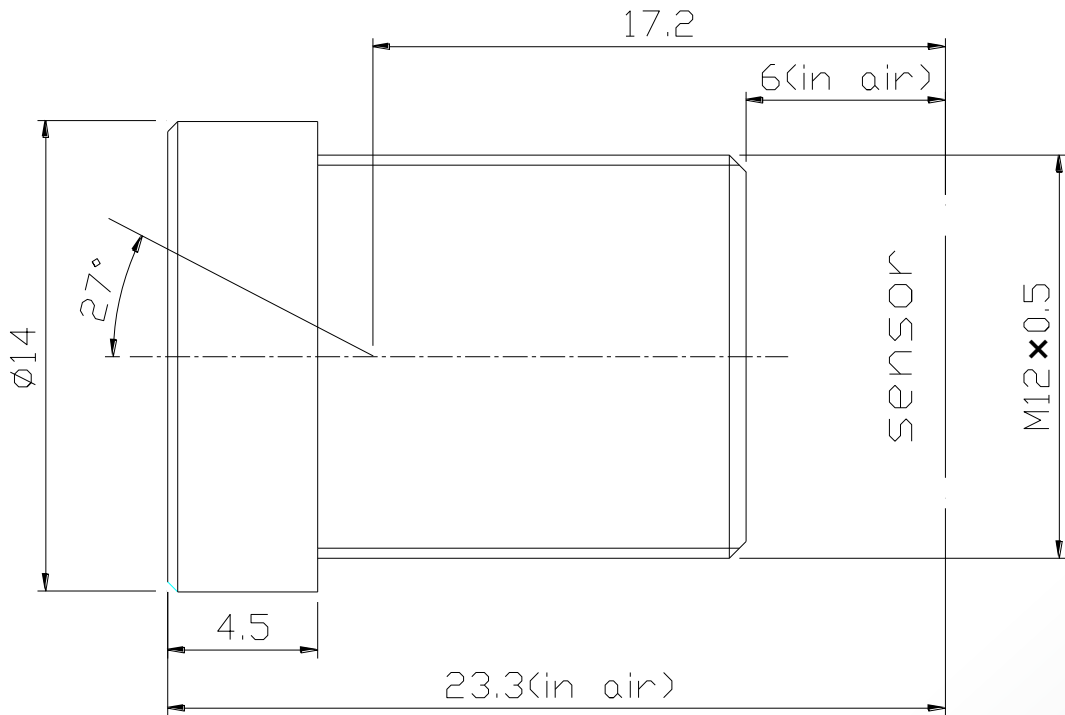


Lensagon B3M8016C



The S-Mount lens Lensagon B3M8016C is suitable for common sensors up to 3 megapixel with an image format of 1/2.5 inch.

Technical Data

| | |
|---------------|-------------------|
| Mount | S-Mount |
| Sensor | 1/2.5 inch |
| Focal Length | 8 mm |
| Aperture | 2.2 |
| MOD | 0.3 m |
| Back Focal | 7 mm |
| Angle of View | D:54° H:41° V:31° |
| Megapixel | 3 MP |
| IR Correction | No |
| IR Cut Filter | Yes |
| Weight | 6.1 g |
| Iris | fixed |
| Focus | fixed |



3 Megapixel