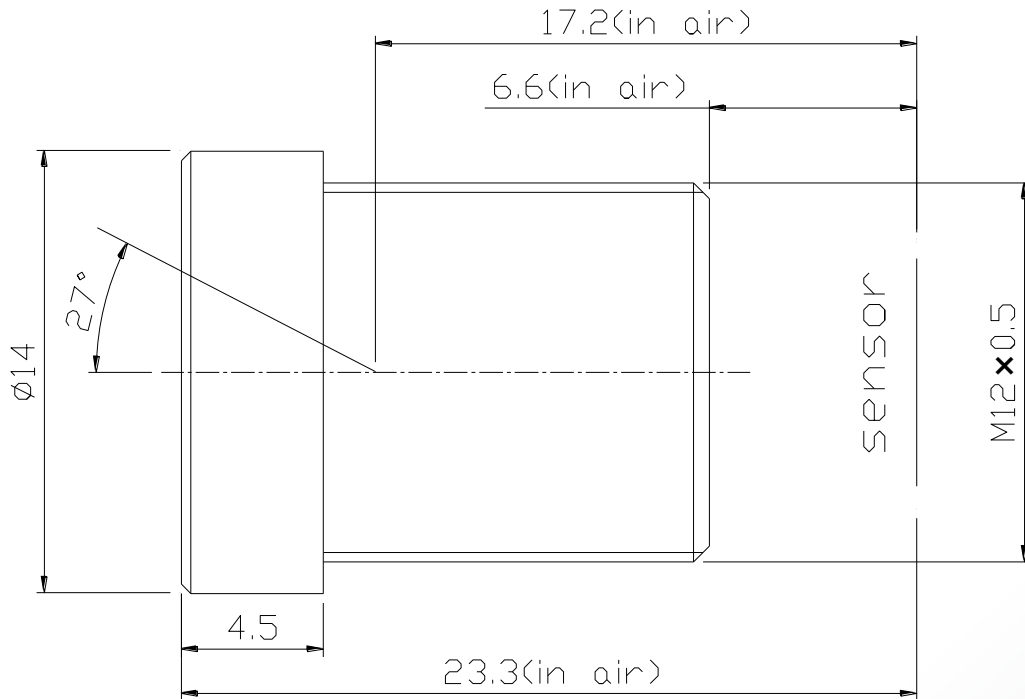


# Lensagon B3M8016



The S-Mount lens Lensagon B3M8016 is suitable for common sensors up to 3 megapixel with an image format of 1/2.5 inch. IR Correction up to 850nm

## Technical Data

Mount	S-Mount
Sensor	1/2.5 inch
Focal Length	8 mm
Aperture	2.2
MOD	0.3 m
Back Focal	7.1 mm
Angle of View	D:54° H:41° V:31°
Megapixel	3 MP
IR Correction	Yes
IR Cut Filter	No
Weight	6 g
Iris	fixed
Focus	fixed
Typ	Standard



**3** Megapixel