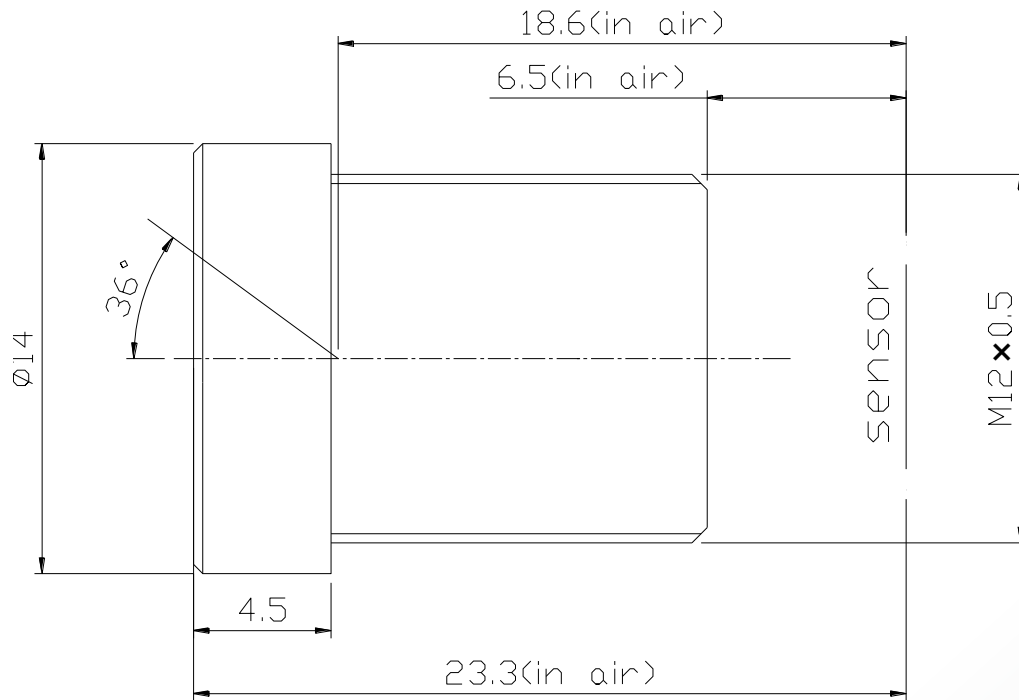


Lensagon B3M6016



The S-Mount lens Lensagon B3M6016 is suitable for common sensors up to 3 megapixel with an image format of 1/2.5 inch.

Technical Data

Mount	S-Mount
Sensor	1/2.5 inch
Focal Length	6 mm
Aperture	2.2
MOD	0.2 m
Back Focal	6.8 mm
Angle of View	D:72° H:57.6° V:41°
Megapixel	3 MP
IR Correction	Yes
IR Cut Filter	No
Optical Distortion	-19 %
Weight	5.7 g
Iris	fixed
Focus	fixed
Chief ray angle	8 °
Typ	Standard



3 Megapixel