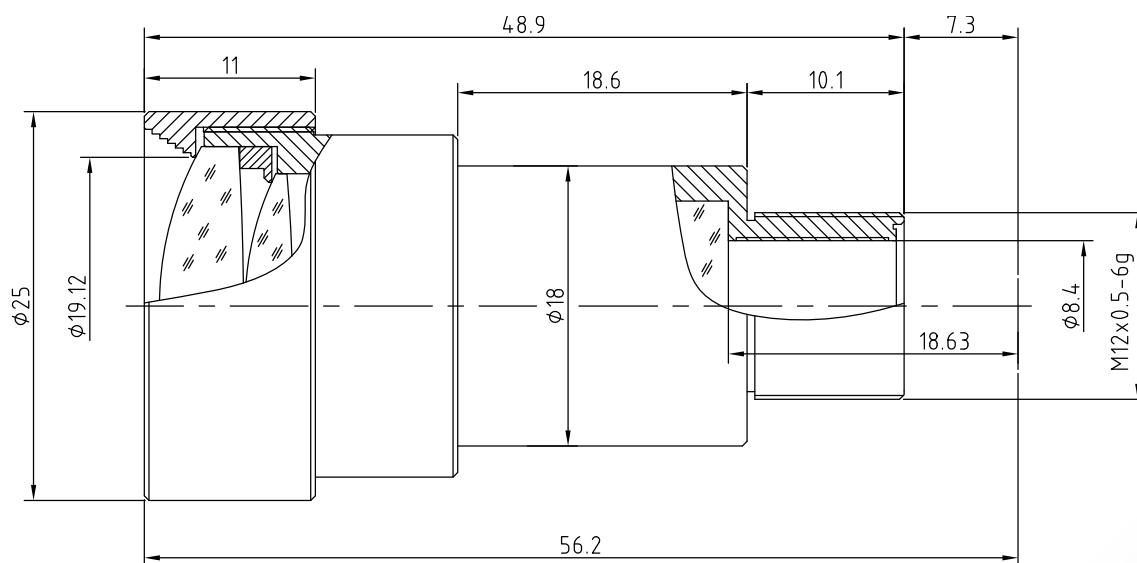


Lensagon B3M50025



The S-Mount lens Lensagon B3M50025 is suitable for common sensors up to 3 megapixel with an image format of 1/2 inch.

Technical Data	
Sensor	1/2 inch
Focal Length	50 mm
Aperture	2.5
MOD	0.5 m
Back Focal	18.63 mm
Megapixel	3 MP
Optical Distortion	0.17 %
Weight	34.5 g

3 Megapixel

