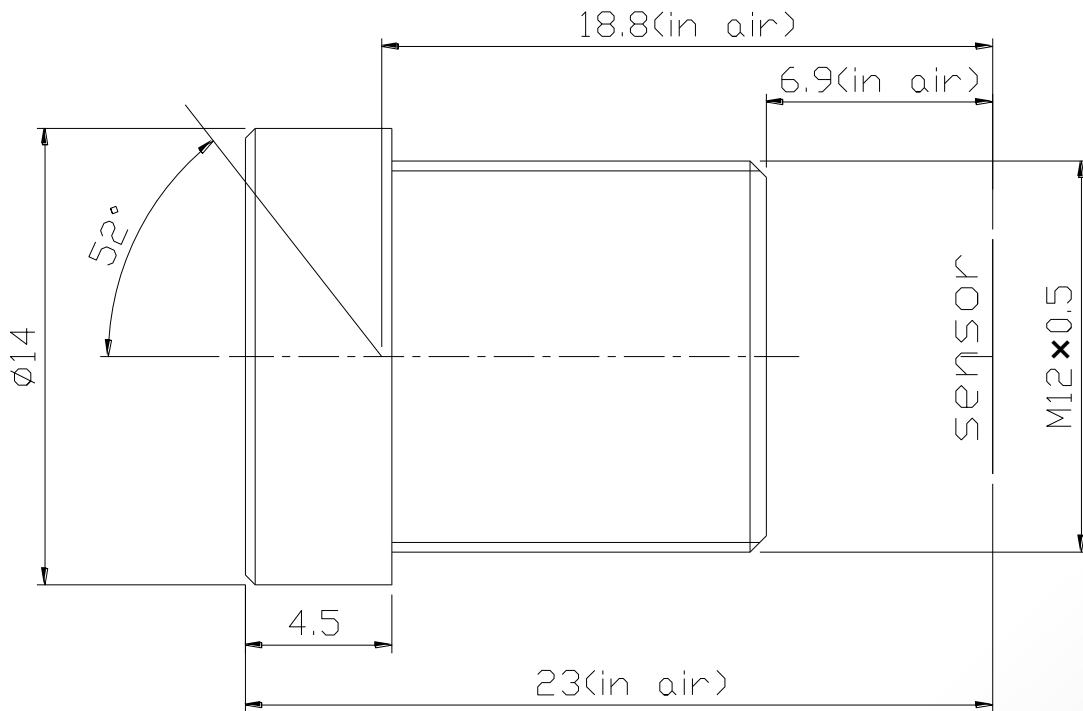


Lensagon B3M4016



The S-Mount lens Lensagon B3M4016 is suitable for common sensors up to 3 megapixel with an image format of 1/2.5 inch.

Technical Data	
Mount	S-Mount
Sensor	1/2.5 inch
Focal Length	4 mm
Aperture	2.2
MOD	0.3 m
Back Focal	7.1 mm
Angle of View	D:104° H:80° V:61°
Megapixel	3 MP
IR Correction	Yes
IR Cut Filter	No
Optical Distortion	-32 %
Weight	5.1 g
Iris	fixed
Focus	fixed
Typ	Standard



3 Megapixel