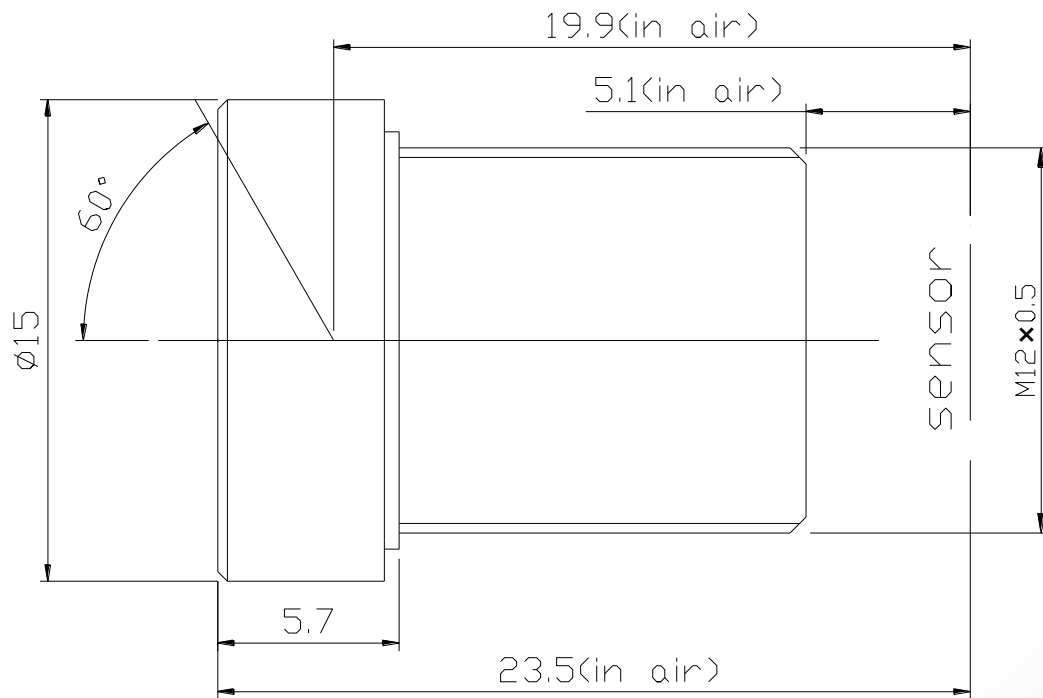


Lensagon B3M3616C



The S-Mount lens Lensagon B3M3616C is suitable for common sensors up to 3 megapixel with an image format of 1/2.5 inch. It is characterized by a particularly high light intensity.

Technical Data

Mount	S-Mount
Sensor	1/2.5 inch
Focal Length	3.6 mm
Aperture	2
MOD	0.3 m
Back Focal	5.9 mm
Angle of View	D:110° H:88° V:48°
Megapixel	3 MP
IR Cut Filter	Yes
Weight	6 g
Iris	fixed
Focus	fixed
Typ	Standard



Light Sensitive



3 Megapixel