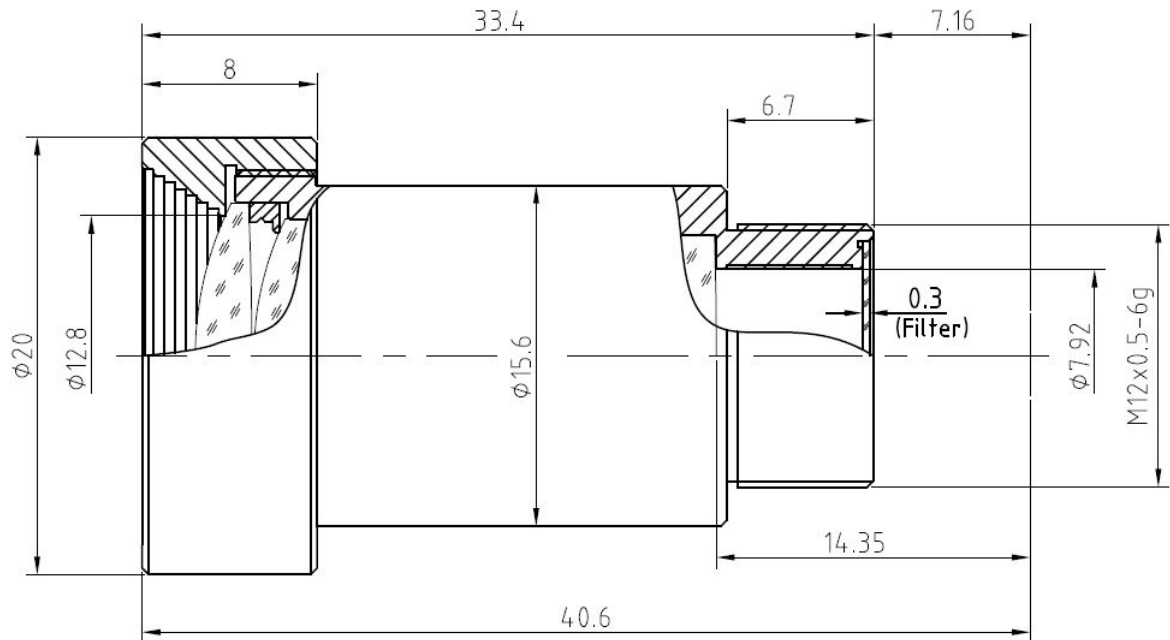


Lensagon B3M35025C



The S-Mount lens Lensagon B3M35025C is suitable for common sensors up to 3 megapixel with an image format of 1/2 inch.

Technical Data

Mount	S-Mount
Sensor	1/2 inch
Focal Length	35 mm
Aperture	2.5
MOD	0.4 m
Back Focal	14.49 mm
Angle of View	D:13.1° H:11° V:7.8°
Megapixel	3 MP
IR Correction	No
IR Cut Filter	Yes
Iris	fixed
Focus	fixed

3 Megapixel

