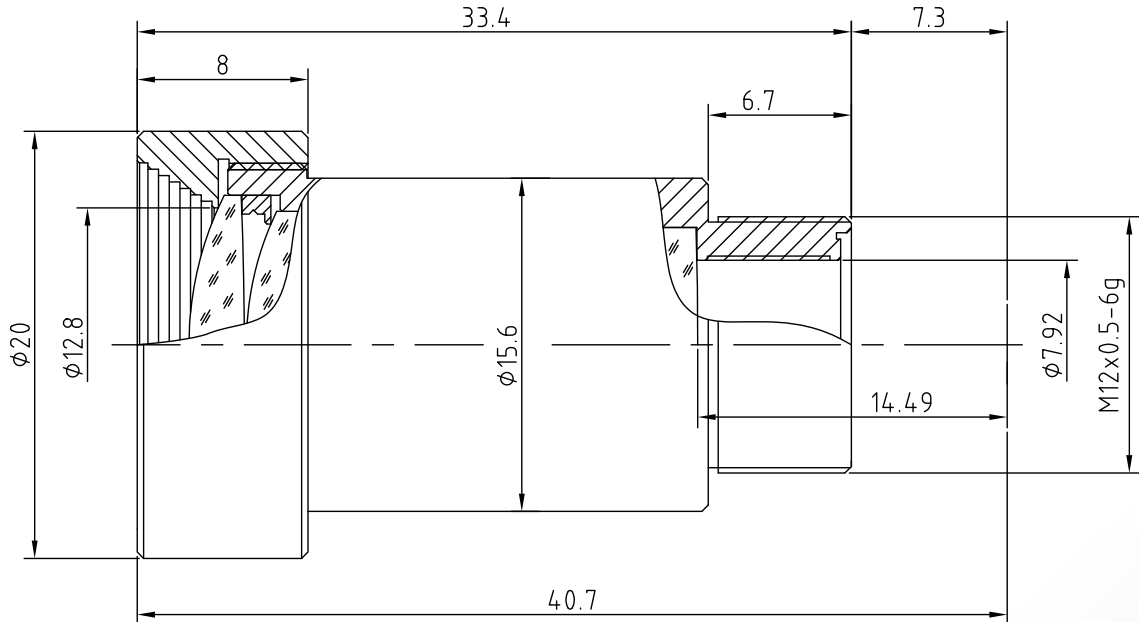


Lensagon B3M35025



The S-Mount lens Lensagon B3M35025 is suitable for common sensors up to 3 megapixel with an image format of 1/2 inch.

Technical Data	
Mount	S-Mount
Sensor	1/2 inch
Focal Length	35 mm
Aperture	2.5
MOD	0.4 m
Back Focal	14.49 mm
Angle of View	D:13.1° H:11° V:7.8°
Megapixel	3 MP
IR Correction	No
Weight	15.7 g
Iris	fixed
Focus	fixed
Typ	Standard



3 Megapixel