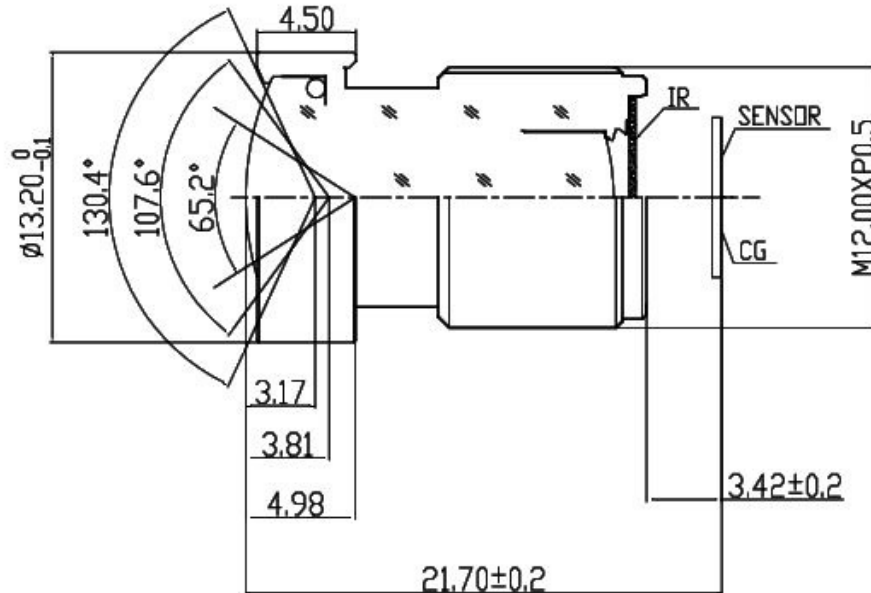


B3M34416S128C



The S-Mount lens Lensagon B3M34416S128C is suitable for common sensors up to 3.00 megapixel with an image format of 1/2.8 inch. It is characterized by a particularly high light intensity.

Technical Data

Mount	S-Mount
Sensor	1/2.8 inch
Focal Length	3.44 mm
Aperture	1.60
Back Focal	3.42 mm
Angle of View	D:130.40° H:107.60° V:65.20°
Megapixel	3.00 MP
IR Cut Filter	Yes
Optical Distortion	51.30 %
Chief ray angle	20.20 °
Typ	Standard



Light Sensitive



3 Megapixel

