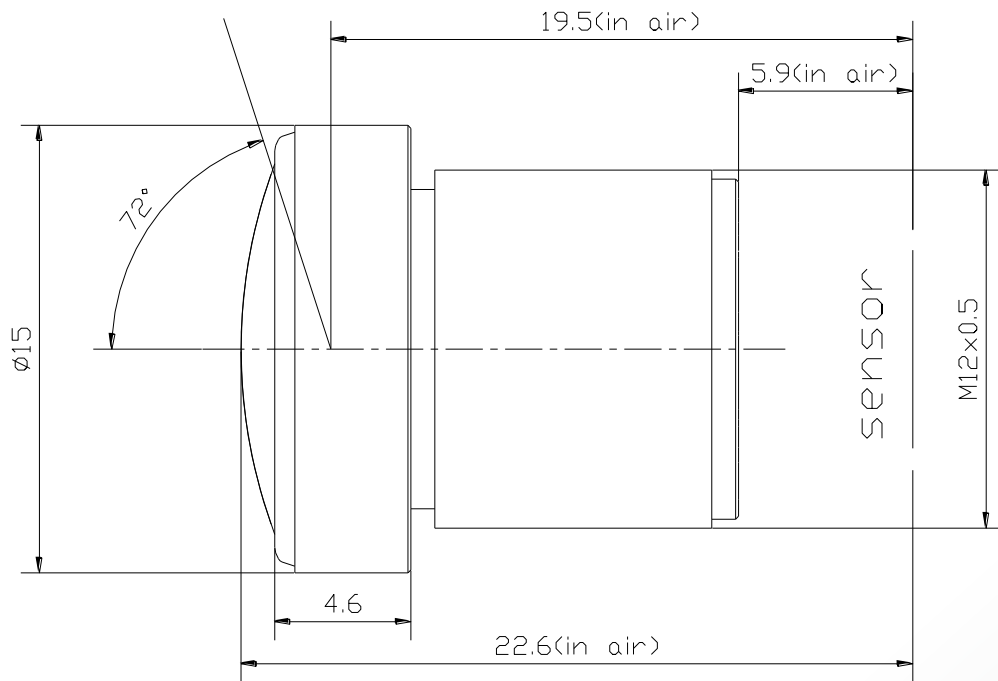


Lensagon B3M2818C



The S-Mount lens Lensagon B3M2818C is suitable for common sensors up to 3 megapixel with an image format of 1/2.5 inch.

Technical Data

Mount	S-Mount
Sensor	1/2.5 inch
Focal Length	2.8 mm
Aperture	2.2
MOD	0.3 m
Back Focal	5.9 mm
Angle of View	D:144° H:115° V:86°
Megapixel	3 MP
IR Correction	No
IR Cut Filter	Yes
TV Distortion	-19 %
Image Circle	7.2 mm
Weight	5.3 g
Iris	fixed
Focus	fixed
Typ	Standard



3 Megapixel