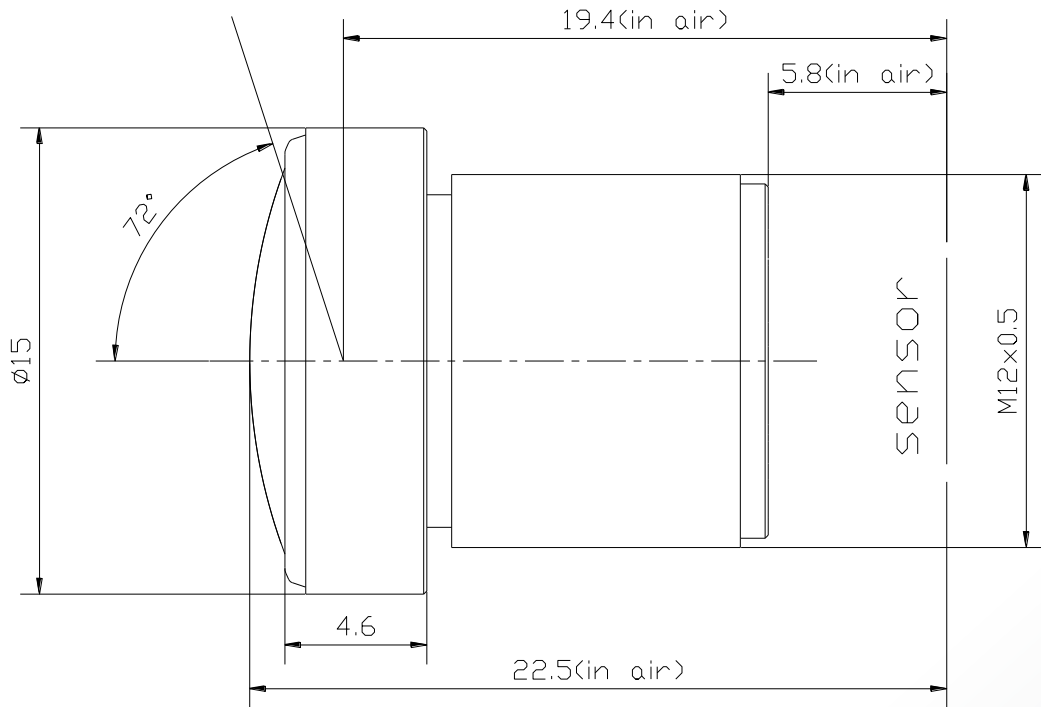


# Lensagon B3M2818



The S-Mount lens Lensagon B3M2818 is suitable for common sensors up to 3 megapixel with an image format of 1/2.5 inch.

## Technical Data

Mount	S-Mount
Sensor	1/2.5 inch
Focal Length	2.8 mm
Aperture	2.2
MOD	0.3 m
Back Focal	6.2 mm
Angle of View	D:144° H:115° V:86°
Megapixel	3 MP
IR Correction	Yes
IR Cut Filter	No
TV Distortion	-19 %
Image Circle	7.2 mm
Weight	5.2 g
Iris	fixed
Focus	fixed
Typ	Standard



**3** Megapixel