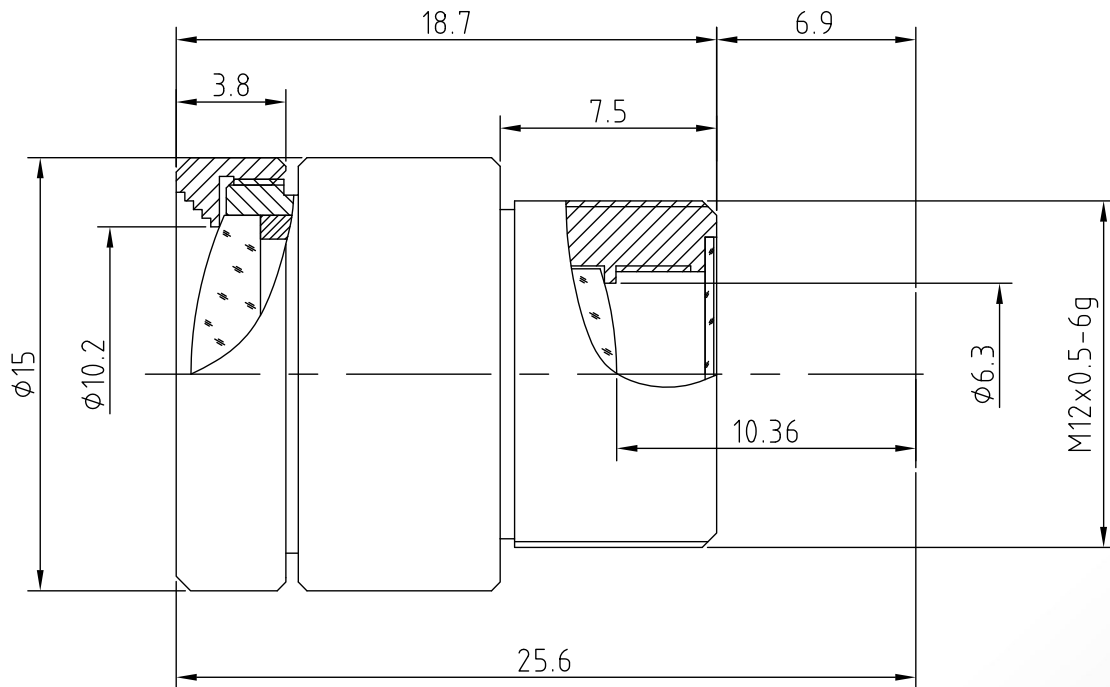


# Lensagon B3M25024C



The S-Mount lens Lensagon B3M25024C is suitable for common sensors up to 3.00 megapixel with an image format of 1/2 inch.

## Technical Data

Mount	S-Mount
Sensor	1/2 inch
Focal Length	25.00 mm
Aperture	2.40
MOD	0.40 m
Back Focal	10.36 mm
Angle of View	D:18.00° H:14.30° V:11.00°
Megapixel	3.00 MP
IR Correction	No
IR Cut Filter	Yes
Optical Distortion	3.30 %
Image Circle	8.00 mm
Weight	7.50 g
Iris	fixed
Focus	fixed
Compatibel	7812



**3** Megapixel