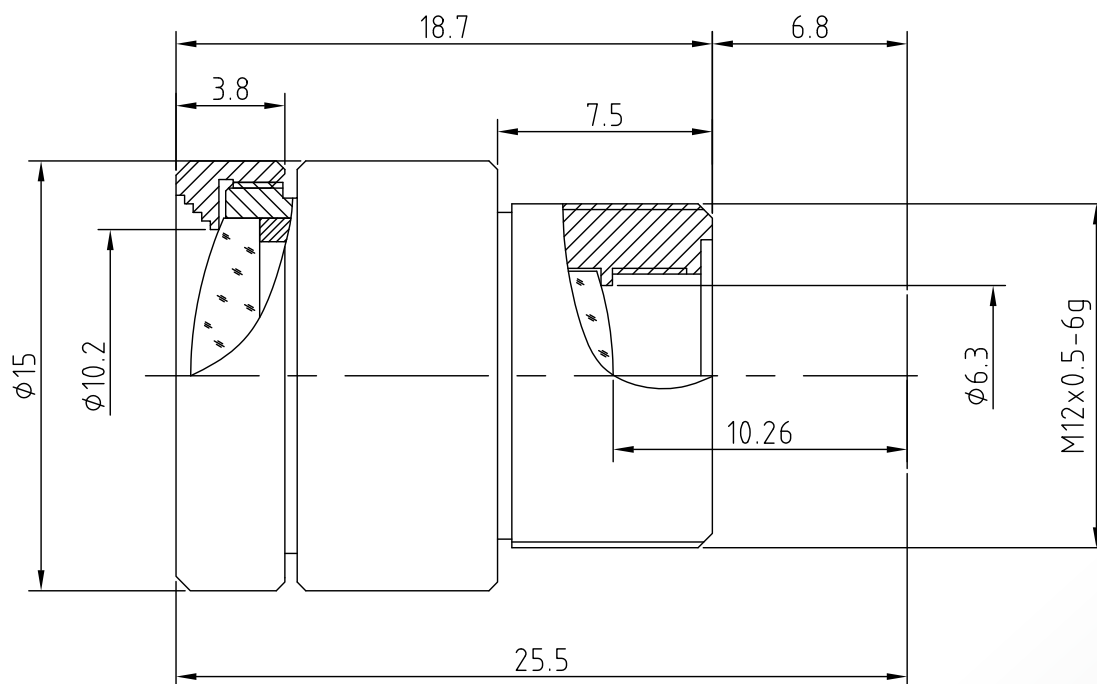


Lensagon B3M25024



The S-Mount lens Lensagon B3M25024 is suitable for common sensors up to 3 megapixel with an image format of 1/2 inch.

Technical Data

Mount	S-Mount
Sensor	1/2 inch
Focal Length	25 mm
Aperture	2.4
MOD	0.4 m
Back Focal	10.26 mm
Angle of View	D:18° H:14.3° V:11°
Megapixel	3 MP
IR Correction	Yes
Distortion	3.3 %
Weight	7 g
Iris	fixed
Focus	fixed
Typ	Standard



3 Megapixel