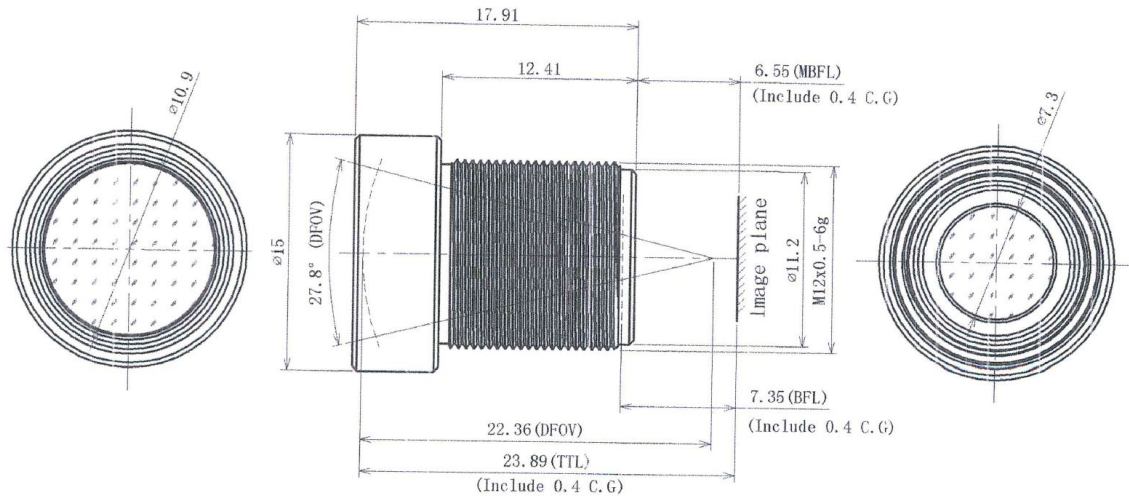


B3M16018V2



The S-Mount lens Lensagon B3M16018V2 is suitable for common sensors up to 3 megapixel with an image format of 1/2 inch. It is characterized by a particularly high light intensity.

Technical Data

Mount	S-Mount
Sensor	1/2 inch
Focal Length	16.3 mm
Aperture	1.83
MOD	0.5 m
Back Focal	7.35 mm
Angle of View	D:27.8° H:22.3° V:16.8°
Megapixel	3 MP
IR Correction	Yes
IR Cut Filter	corrected
Optical Distortion	-0.72 %
Image Circle	8.4 mm
Iris	fixed
Focus	fixed
Chief ray angle	16 °
Typ	Standard



Light Sensitive



3 Megapixel