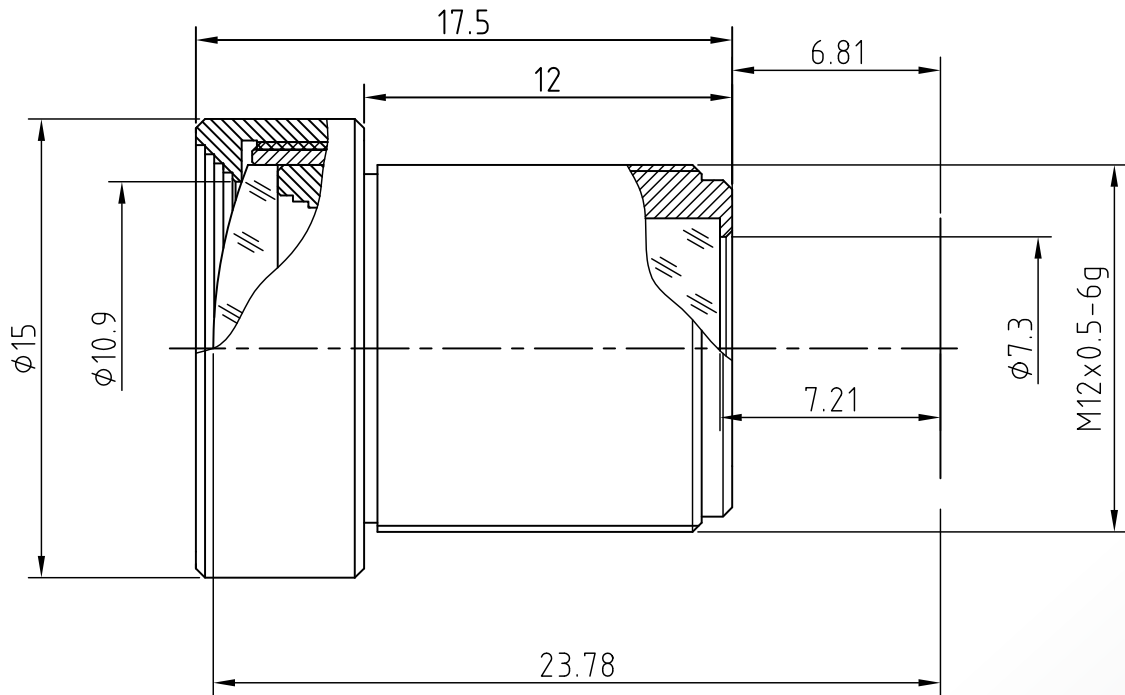


Lensagon B3M16018



The S-Mount lens Lensagon B3M16018 is suitable for common sensors up to 3 megapixel with an image format of 1/2 inch. It is characterized by a particularly high light intensity.

Technical Data

Mount	S-Mount
Sensor	1/2 inch
Focal Length	16 mm
Aperture	1.8
MOD	0.35 m
Back Focal	7.21 mm
Angle of View	D:27.8° H:22.3° V:16.8°
Megapixel	3 MP
IR Correction	Yes
Distortion	-0.65 %
Weight	7 g
Iris	fixed
Focus	fixed
Typ	Standard



Light Sensitive



3 Megapixel