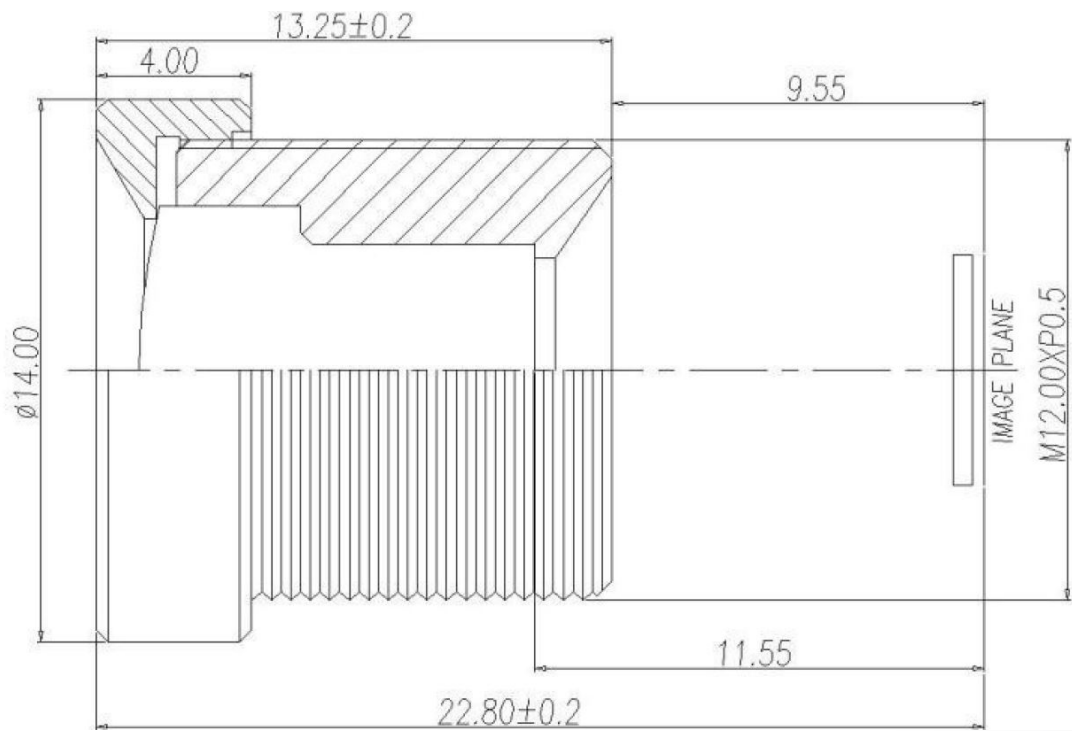


# B3M12026S13E



The S-Mount lens Lensagon B3M12026S13E is suitable for common sensors up to 3 megapixel with an image format of 1/3 inch.

## Technical Data

Mount	S-Mount
Sensor	1/3 inch
Focal Length	12 mm
Aperture	2.5
Back Focal	11.55 mm
Angle of View	D:25° H:° V:°
Megapixel	3 MP
IR Correction	Yes
Typ	Standard

**3** Megapixel

