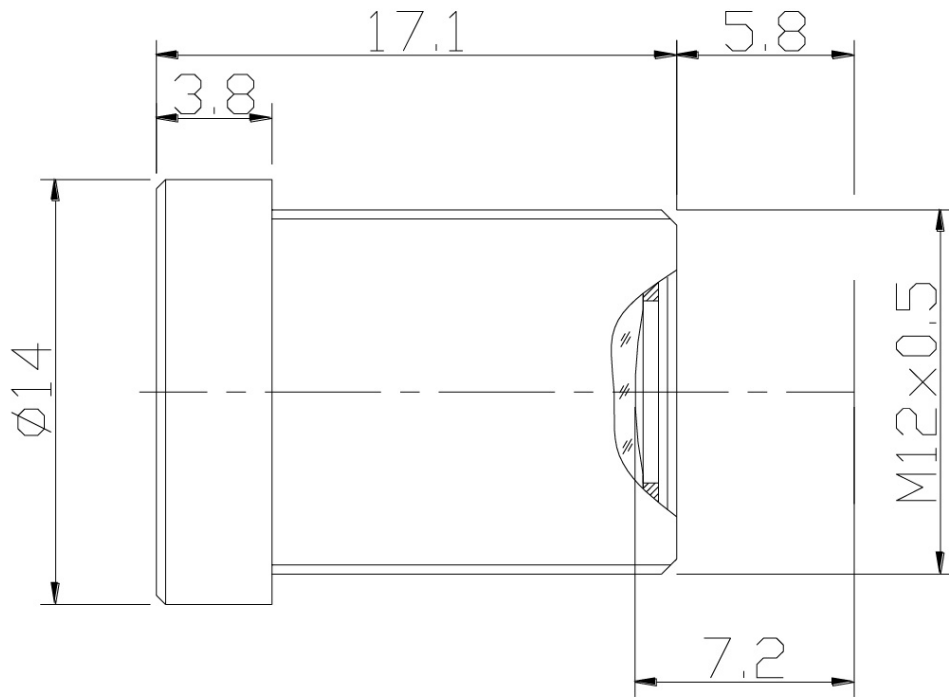


Lensagon B3M12016C



The S-Mount lens Lensagon B3M12016C is suitable for common sensors up to 3 megapixel with an image format of 1/2.5 inch.

Technical Data

Mount	S-Mount
Sensor	1/2.5 inch
Focal Length	12 mm
Aperture	2.3
MOD	0.3 m
Back Focal	7.1 mm
Angle of View	D:36° H:28° V:21°
Megapixel	3 MP
IR Correction	No
IR Cut Filter	Yes
Weight	4.9 g
Iris	fixed
Focus	fixed
Typ	Standard



3 Megapixel