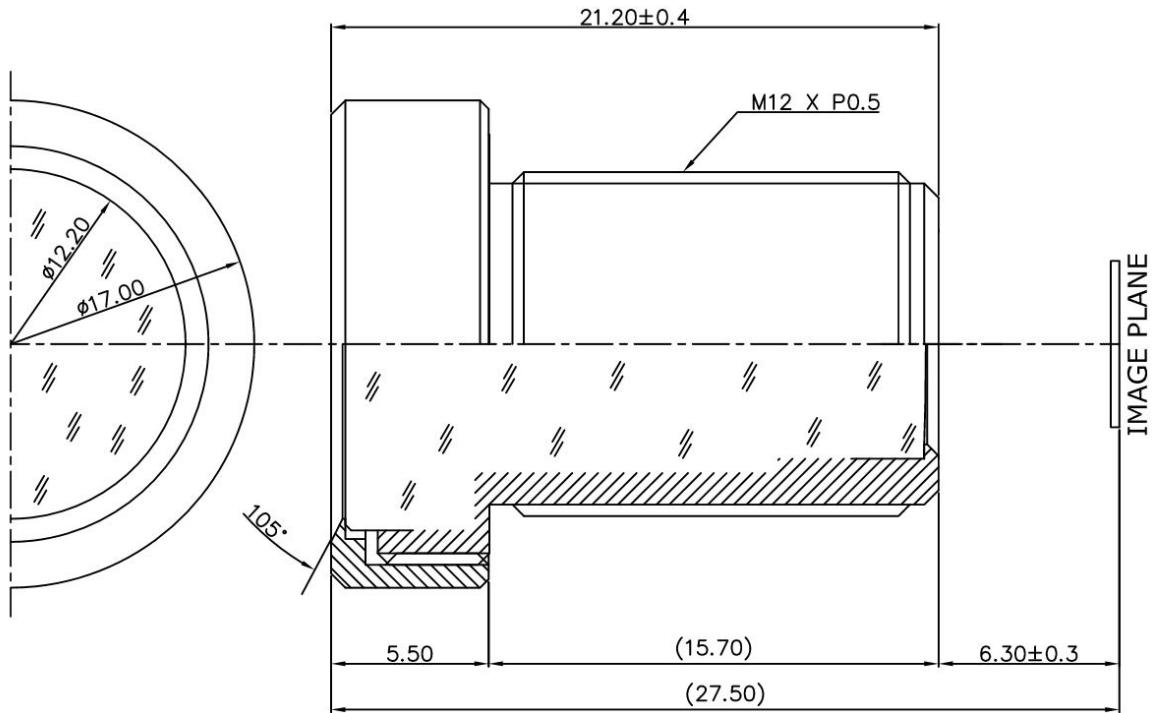


Lensagon B2M3814



The S-Mount lens Lensagon B2M3814 is suitable for common sensors up to 2 megapixel with an image format of 1/2.5 inch. It is characterized by a particularly high light intensity.

Technical Data

Mount	S-Mount
Sensor	1/2.5 inch
Focal Length	3.85 mm
Aperture	1.4
MOD	0.2 m
Back Focal	6.76 mm
Angle of View	D:121.9° H:91.1° V:56°
Megapixel	2 MP
IR Cut Filter	no
Image Circle	7.2 mm
Weight	8.4 g
Iris	fixed
Focus	fixed
Chief ray angle	12.69 °
Typ	Standard



Light Sensitive



2 Megapixel