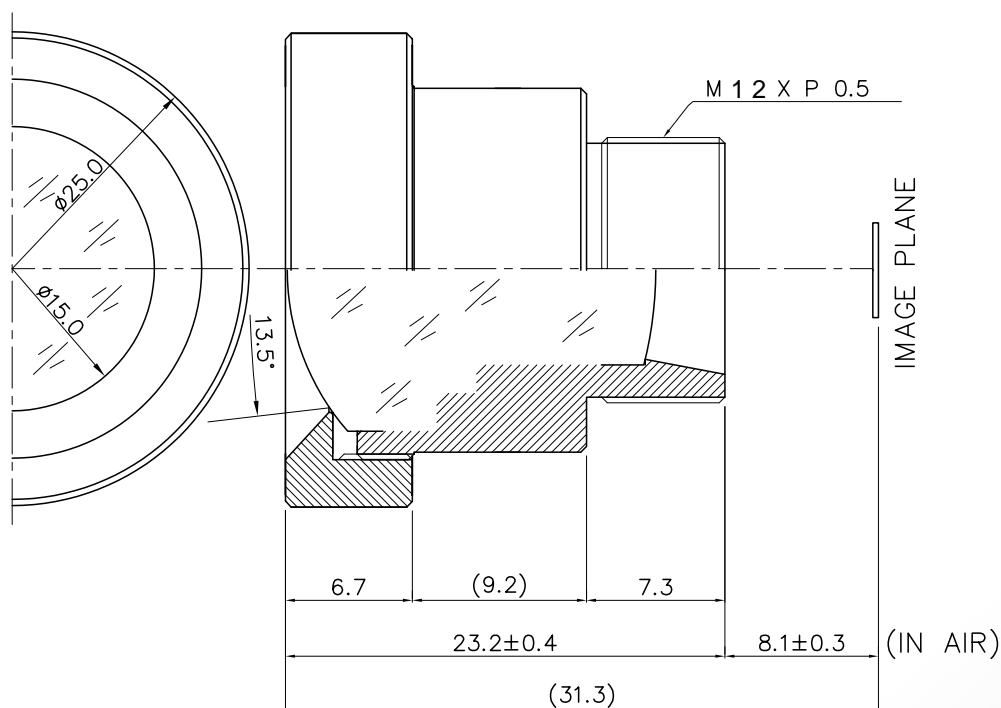


# Lensagon B25020S12



The S-Mount lens Lensagon B25020S12 is suitable for common sensors up to 1 megapixel with an image format of 1/2 inch. It is characterized by a particularly high light intensity.

## Technical Data

Mount	S-Mount
Sensor	1/2 inch
Focal Length	25 mm
Aperture	2
MOD	0.2 m
Back Focal	11.8 mm
Angle of View	D:18.2° H:14.3° V:10.7°
Megapixel	1-2 MP
IR Cut Filter	No
Weight	17.3 g
Iris	fixed
Focus	fixed
Typ	Standard



Light Sensitive



1 Megapixel