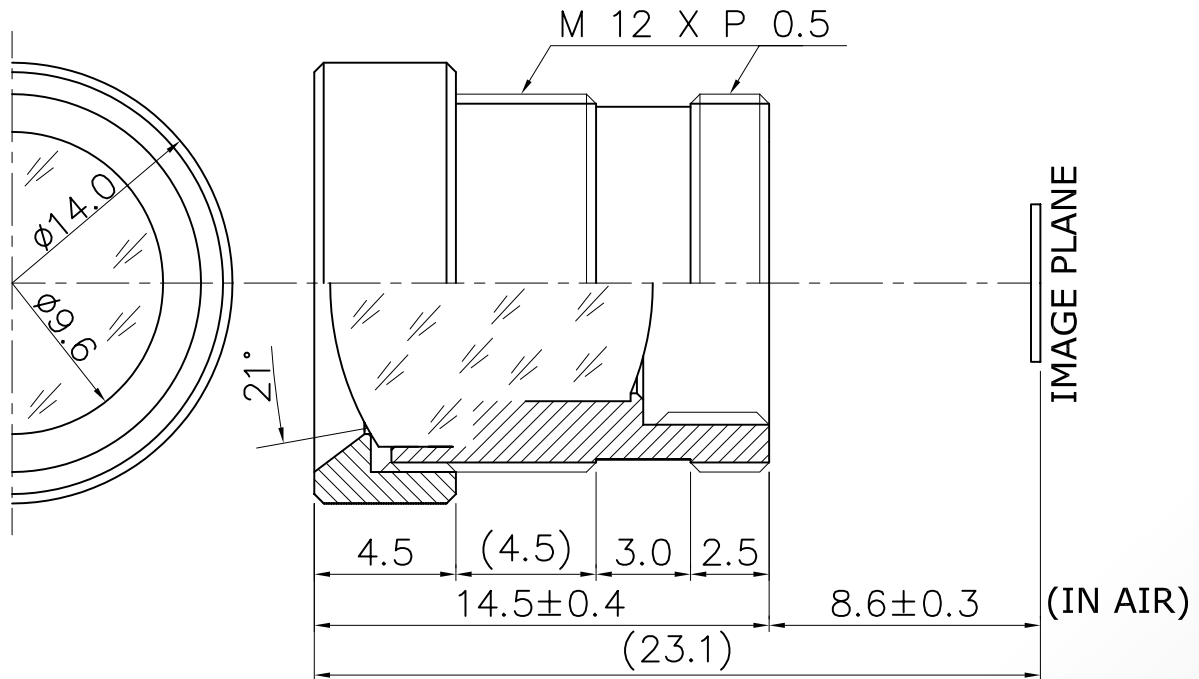


Lensagon B16020S12



The S-Mount lens Lensagon B16020S12 is suitable for common sensors up to 1 megapixel with an image format of 1/2 inch. It is characterized by a particularly high light intensity.

Technical Data

Mount	S-Mount
Sensor	1/2 inch
Focal Length	16 mm
Aperture	2
MOD	0.2 m
Back Focal	12.3 mm
Angle of View	D:27.8° H:22.1° V:16.8°
Megapixel	1-2 MP
IR Cut Filter	No
Weight	5 g
Iris	fixed
Focus	fixed
Typ	Standard



Light Sensitive



1 Megapixel

