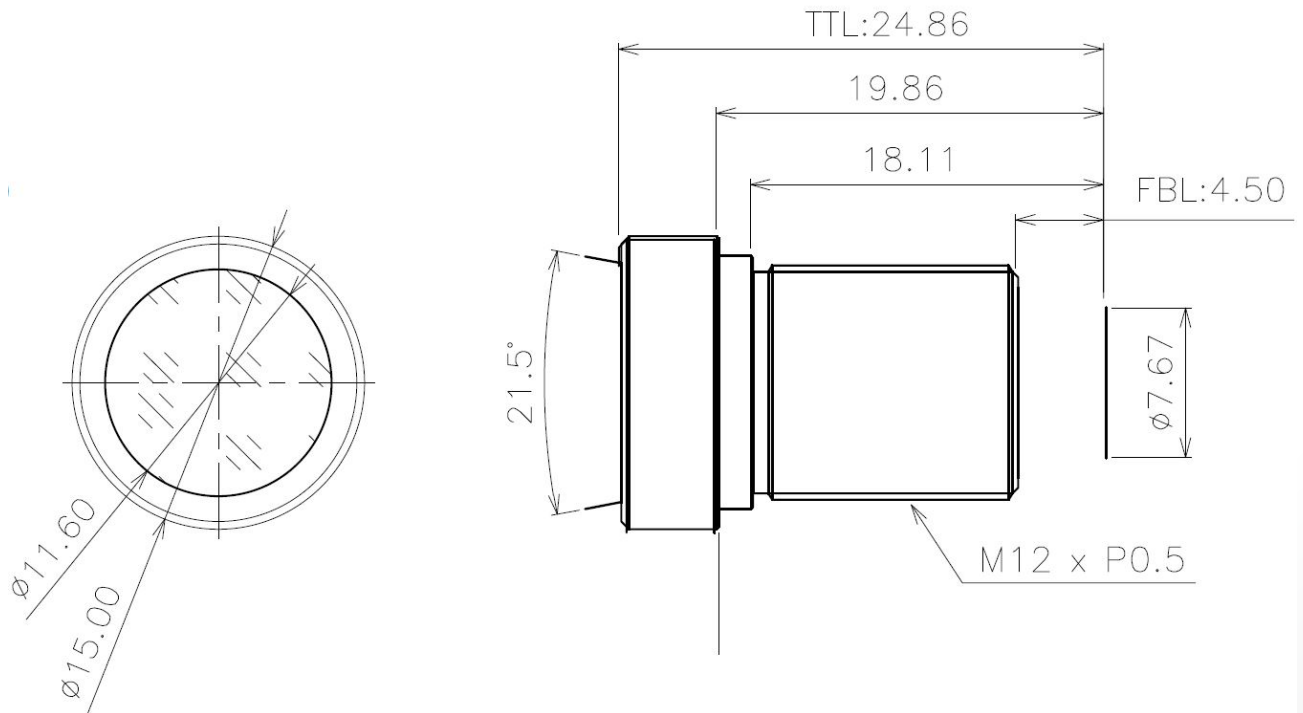


B14M20020S123C



The S-Mount lens Lensagon B14M20020S123C is suitable for current sensors up to 14 megapixel with an image format of 1/2.3 inch. CRA 10°+/-2°, center MTF 36%@350lp/mm

| Technical Data | |
|--------------------|-----------------------|
| Mount | S-Mount |
| Sensor | 1/2.3 inch |
| Focal Length | 20 mm |
| Aperture | 2.2 |
| MOD | 0.2 m |
| Back Focal | 13.43 mm |
| Angle of View | D:21.5° H:17.1° V:13° |
| Megapixel | 14 MP |
| IR Correction | No |
| IR Cut Filter | Yes |
| Optical Distortion | 0.7 % |
| Image Circle | 7.67 mm |
| Weight | 5.8 g |
| Iris | fixed |
| Focus | fixed |
| Typ | Standard |



14 Megapixel