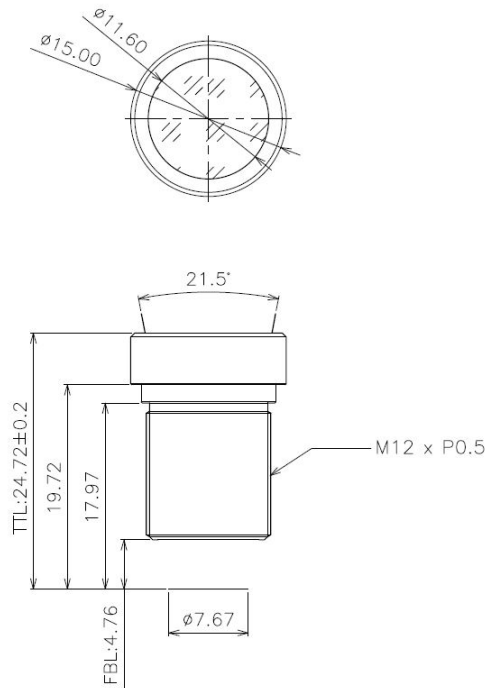


B14M20020S123



The S-Mount lens Lensagon B14M20020S123 is suitable for current sensors up to 14 megapixel with an image format of 1/2.3 inch. CRA 10'+/-2'; Relative Illumination 92% at full field.

Technical Data

Mount	S-Mount
Sensor	1/2.3 inch
Focal Length	20 mm
Aperture	2.2
MOD	0.2 m
Back Focal	13.29 mm
Angle of View	D:21.5° H:17.1° V:13.1°
Megapixel	14 MP
IR Correction	No
IR Cut Filter	No
TV Distortion	0.7 %
Image Circle	7.67 mm
Iris	fixed
Focus	fixed
Typ	Standard

