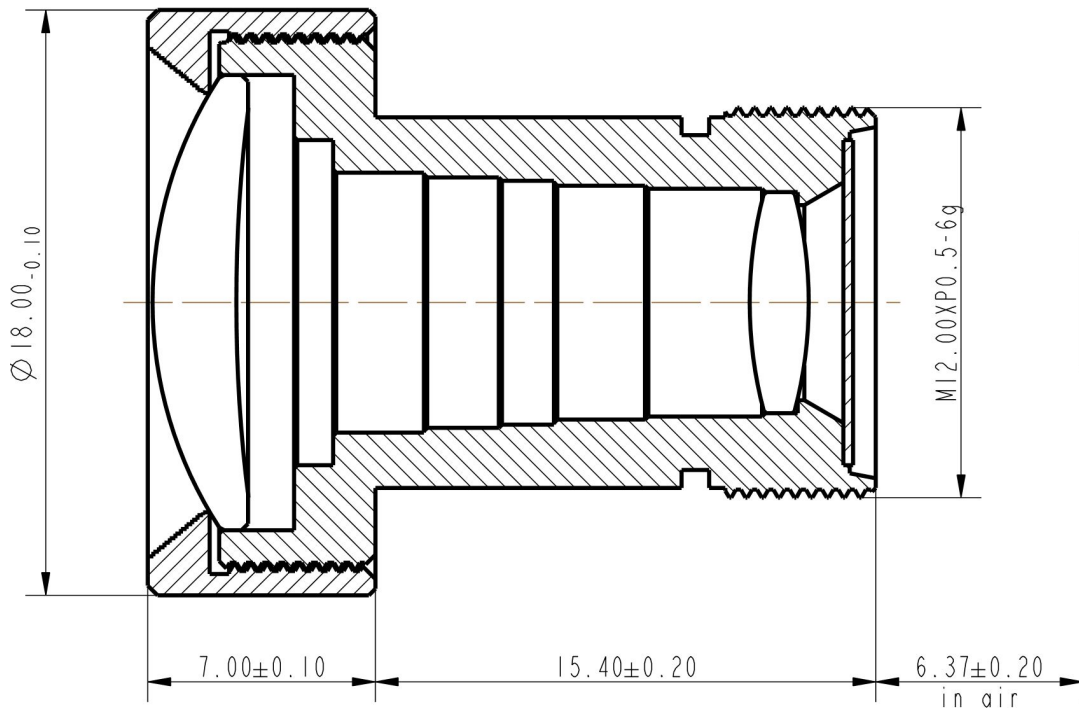


B12M8056S117ND



The S-Mount lens Lensagon B12M8056S117ND is suitable for current sensors up to 12 megapixel with an image format of 1/1.7 inch. Spectral Transmission: TA420-900nm T>85%

Technical Data

Mount	S-Mount
Sensor	1/1.7 inch
Focal Length	8 mm
Aperture	5.6
MOD	0.05 m
Back Focal	7.8 mm
Angle of View	D:60.02° H:49.31° V:38.08°
Megapixel	12 MP
TV Distortion	-0.9 %
Image Circle	9.8 mm
Focus	fixed
Chief ray angle	18 °
Typ	Standard

12 Megapixel

